


PSM 系列 Series

IGBT 吸收電容器 IGBT Snubber

基本技術特點 GENERAL TECHNICAL CHARACTERISTICS

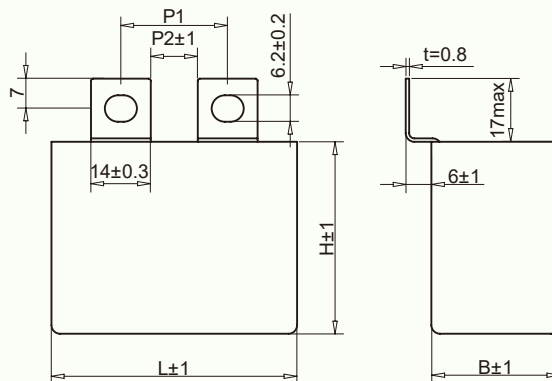
引用標準 Reference Standards	IEC 61071-60068	
絕緣介質 Dielectric	聚丙烯薄膜 Polypropylene film	
結構 Construction	雙面金屬化膜, 內部串聯結構 Double sided metallized film with internal series connection	
封裝 Coating	UL94V-0 阻燃防火和耐溶劑塑膠殼並以環氧樹脂灌封 Solvent resistant plastic case with resin sealing Flame retardant execution (UL94V-0)	
引出端連接形式 Leads	以螺絲作固定的接線鍍錫銅片 Tinned copper lugs for screw fixing	

技術規格 ELECTRICAL CHARACTERISTICS

工作溫度 Operating Temperature	-40 to +85°C (外殼 case)
電容量 Capacitance	0.047 to 10 μ F
額定電壓 Rated Voltage	700 to 3000VDC
容差 Tolerance	$\pm 5\%$ or $\pm 10\%$
損耗因數 Dissipation Factor	$\leq 6 \times 10^{-4}$ 在1000 ± 20 Hz和25 ± 5 °C測定 $\leq 6 \times 10^{-4}$ measured at 1000 ± 20 Hz and 25 ± 5 °C
預期壽命 Life Expectancy	在額定電壓和 70°C (熱點溫度)的條件下可達100,000小時 100,000 hours at Un and 70°C (Hot-spot temperature)

測試 TEST METHODS AND PERFORMANCE

極間耐電壓 Voltage withstand between terminals	在1.5倍額定電壓Un下持續10秒 (25 ± 5 °C) 1.5Un (DC) applied for 10 sec at 25 ± 5 °C
極殼之間耐電壓 Test Voltage Terminal to Case	3kVAC/50Hz 持續60秒 3kVAC/50Hz for 60 sec
自放電時間常數 Self discharge time constant	$\geq 30,000$ 秒不超過30G Ω (典型值), 電容器充電1分鐘後增加100VDC (25 ± 5 °C) $\geq 30,000$ sec but need not exceed 30G Ω (typical value), after 1 minute of electrification at 100VDC (25 ± 5 °C)



接線鍍錫銅片的形式: SB(8B), SK(8K), SU(8U), SC(8C), UF(HF), CF(8F), SR(5R, 6R), SG(6G, 8G), SN(2N), ST, TF, SE, SD 和 SL 可按客戶
自定要求訂制。

Lug terminal type: SB(8B), SK(8K), SU(8U), SC(8C), UF(HF), CF(8F), SR(5R, 6R), SG(6G, 8G), SN(2N), ST, TF, SE, SD and SL custom
design available upon request.

規格若有任何變更將不予通知。如有產品安全或技術問題, 請即與我司業務部或代理商聯繫。
Specifications are subject to change without notice. For any concern on safety or technical aspects on the product,
please contact our sales offices or agents immediately.

產品編碼和電性規格 PART NUMBER AND ELECTRICAL SPECIFICATIONS

產品編碼 Part Number	容量 Cap (μ F)	長度 L (mm)	寬度 B (mm)	高度 H (mm)	電壓 上升 速率 du/dt (V/ μ s)	峰值 電流 I _{peak} (A)	紋波 電流 I _{rms} @25°C @10kHz (A)	等效 串聯 電阻 ESR@ 100kHz (m Ω)
Un 700VDC, Urms 380VAC, Us 1050V								
PSM105*2SD2G**S1	1	42.5	24.5	27.5	325	325	15.0	3.2
PSM125*2SD2G**S1	1.2	42.5	24.5	27.5	325	390	16.0	3.1
PSM155*2SC30**S1	1.5	42.5	22.0	30.0	325	487	18.0	2.8
PSM205*2SG3E**S1	2	42.5	33.5	35.5	325	650	22.0	2.5
PSM205*2SE37**S1	2	42.5	28.0	37.0	325	650	21.5	2.5
PSM225*2SG3E**S1	2.2	42.5	33.5	35.5	325	715	22.5	2.4
PSM225*2SE37**S1	2.2	42.5	28.0	37.0	325	715	22.0	2.4
PSM255*2SG3E**S1	2.5	42.5	33.5	35.5	325	812	23.0	2.2
PSM255*2SE37**S1	2.5	42.5	28.0	37.0	325	812	22.5	2.2
PSM305*2SH45**S1	3	42.5	33.0	45.0	325	975	26.0	2.1
PSM305*2SF45**S1	3	42.5	30.0	45.0	325	975	25.5	2.1
PSM335*2SH45**S1	3.3	42.5	33.0	45.0	325	1072	26.5	2.1
PSM335*2SF45**S1	3.3	42.5	30.0	45.0	325	1072	26.0	2.1
PSM355*2SH45**S1	3.5	42.5	33.0	45.0	325	1134	27.0	2.0
PSM355*2SF45**S1	3.5	42.5	30.0	45.0	325	1134	26.5	2.0
PSM405*2SS45**S1	4	57.5	30.0	45.0	220	880	27.0	2.3
PSM405*2SH45**S1	4	42.5	33.0	45.0	325	1300	32.0	1.8
PSM475*2ST50**S1	4.7	57.5	35.0	50.0	220	1034	31.0	2.1
PSM475*2SS45**S1	4.7	57.5	30.0	45.0	220	1034	30.5	2.1
PSM505*2ST50**S1	5	57.5	35.0	50.0	220	1100	31.0	2.1
PSM505*2SS45**S1	5	57.5	30.0	45.0	220	1100	30.5	2.1
PSM565*2ST50**S1	5.6	57.5	35.0	50.0	220	1232	32.0	2.0
PSM685*2ST50**S1	6.8	57.5	35.0	50.0	220	1496	32.0	2.0
PSM106*2SU56**S1	10	57.5	42.5	56.0	220	2200	33.0	1.3
Un 850VDC, Urms 550VAC, Us 1275V								
PSM824*2RD2G**S1	0.82	42.5	24.5	27.5	400	328	15.5	3.1
PSM105*2RD2G**S1	1	42.5	24.5	27.5	400	400	17.5	2.7
PSM105*2RC30**S1	1	42.5	22.0	30.0	400	400	17.0	2.7
PSM155*2RG3E**S1	1.5	42.5	33.5	35.5	400	600	23.0	2.2
PSM155*2RE37**S1	1.5	42.5	28.0	37.0	400	600	22.5	2.2
PSM205*2RG3E**S1	2	42.5	33.5	35.5	400	800	23.5	2.2
PSM225*2RF45**S1	2.2	42.5	30.0	45.0	400	880	26.5	2.0
PSM255*2RH45**S1	2.5	42.5	33.0	45.0	400	1000	27.0	2.0
PSM255*2RF45**S1	2.5	42.5	30.0	45.0	400	1000	26.5	2.0
PSM305*2RS45**S1	3	57.5	30.0	45.0	280	840	28.0	1.9
PSM335*2RS45**S1	3.3	57.5	30.0	45.0	280	924	28.5	2.2
PSM405*2RT50**S1	4	57.5	35.0	50.0	280	1120	29.5	2.1
PSM475*2RT50**S1	4.7	57.5	35.0	50.0	280	1316	32.0	1.9
PSM685*2RU56**S1	6.8	57.5	42.5	56.0	280	1904	33.0	1.5

規格若有任何變更將不予通知。如有產品安全或技術問題，請即與我司業務部或代理商聯繫。
Specifications are subject to change without notice. For any concern on safety or technical aspects on the product, please contact our sales offices or agents immediately.

產品編碼和電性規格 PART NUMBER AND ELECTRICAL SPECIFICATIONS

產品編碼 Part Number	容量 Cap (μ F)	長度 L (mm)	寬度 B (mm)	高度 H (mm)	電壓 上升 速率 du/dt (v/ μ s)	峰值 電流 Ipeak (A)	紋波 電流 Irms @25°C @10kHz (A)	等效 串聯 電阻 ESR@ 100kHz (m Ω)
Un 1000VDC, Urms 580VAC, Us 1500V								
PSM684*3AD2G**S1	0.68	42.5	24.5	27.5	500	340	15.0	3.3
PSM754*3AD2G**S1	0.75	42.5	24.5	27.5	500	375	15.5	3.2
PSM754*3AC30**S1	0.75	42.5	22.0	30.0	500	375	15.0	3.2
PSM105*3AE37**S1	1	42.5	28.0	37.0	500	500	17.0	2.9
PSM125*3AG3E**S1	1.2	42.5	33.5	35.5	500	600	22.0	2.5
PSM125*3AE37**S1	1.2	42.5	28.0	37.0	500	600	21.5	2.5
PSM155*3AG3E**S1	1.5	42.5	33.5	35.5	500	750	23.5	2.2
PSM1G5*3AH45**S1	1.75	42.5	33.0	45.0	500	875	23.5	2.1
PSM1G5*3AF45**S1	1.75	42.5	30.0	45.0	500	875	23.0	2.1
PSM205*3AH45**S1	2	42.5	33.0	45.0	500	1000	26.5	2.0
PSM225*3AS45**S1	2.2	57.5	30.0	45.0	350	770	26.5	2.5
PSM255*3AS45**S1	2.5	57.5	30.0	45.0	350	875	28.0	2.1
PSM305*3AT50**S1	3	57.5	35.0	50.0	350	1050	31.0	2.1
PSM335*3AT50**S1	3.3	57.5	35.0	50.0	350	1155	31.0	2.0
PSM505*3AU56**S1	5	57.5	42.5	56.0	350	1750	33.0	1.6
Un 1200VDC, Urms 500VAC, Us 1800V								
PSM224*3OD2G**S1	0.22	42.5	24.5	27.5	650	143	11.5	5.2
PSM224*3OA26**S1	0.22	42.5	15.0	26.0	650	143	11.0	5.2
PSM334*3OD2G**S1	0.33	42.5	24.5	27.5	650	210	12.0	5.1
PSM334*3OA26**S1	0.33	42.5	15.0	26.0	650	210	11.5	5.1
PSM394*3OD2G**S1	0.39	42.5	24.5	27.5	650	254	13.0	4.6
PSM394*3OB28**S1	0.39	42.5	17.0	28.0	650	254	12.5	4.6
PSM474*3OD2G**S1	0.47	42.5	24.5	27.5	650	308	14.0	4.1
PSM474*3OC30**S1	0.47	42.5	22.0	30.0	650	308	13.5	4.1
PSM564*3OC30**S1	0.56	42.5	22.0	30.0	650	364	14.0	3.7
PSM564*3OD2G**S1	0.56	42.5	24.5	27.5	650	364	14.5	3.7
PSM684*3OG3E**S1	0.68	42.5	33.5	35.5	650	442	19.0	3.3
PSM684*3OC30**S1	0.68	42.5	22.0	30.0	650	442	18.5	3.3
PSM824*3OG3E**S1	0.82	42.5	33.5	35.5	650	533	20.0	3.0
PSM824*3OE37**S1	0.82	42.5	28.0	37.0	650	533	19.5	3.0
PSM105*3OG3E**S1	1	42.5	33.5	35.5	650	650	20.5	2.7
PSM105*3OE37**S1	1	42.5	28.0	37.0	650	650	20.0	2.7
PSM125*3OH45**S1	1.2	42.5	33.0	45.0	650	780	23.5	2.4
PSM125*3OF45**S1	1.2	42.5	30.0	45.0	650	780	23.0	2.4
PSM155*3OH45**S1	1.5	42.5	33.0	45.0	650	975	25.0	2.1
PSM155*3OF45**S1	1.5	42.5	30.0	45.0	650	975	24.5	2.1
PSM205*3OS45**S1	2	57.5	30.0	45.0	455	910	27.0	1.7
PSM225*3OT50**S1	2.2	57.5	35.0	50.0	455	1001	30.0	2.4
PSM225*3OS50**S1	2.2	57.5	30.0	50.0	455	1001	29.5	2.4
PSM255*3OT50**S1	2.5	57.5	35.0	50.0	455	1138	31.0	2.3
PSM305*3OT50**S1	3	57.5	35.0	50.0	455	1365	32.0	2.1
PSM455*3OU56**S1	4.5	57.5	42.5	56.0	455	2047	33.0	1.7

規格若有任何變更將不予通知。如有產品安全或技術問題，請即與我司業務部或代理商聯繫。
Specifications are subject to change without notice. For any concern on safety or technical aspects on the product, please contact our sales offices or agents immediately.

產品編碼和電性規格 PART NUMBER AND ELECTRICAL SPECIFICATIONS

產品編碼 Part Number	容量 Cap (μ F)	長度 L (mm)	寬度 B (mm)	高度 H (mm)	電壓 上升 速率 du/dt (V/ μ s)	峰值 電流 I _{peak} (A)	紋波 電流 I _{rms} @25°C @10kHz (A)	等效 串聯 電阻 ESR@ 100kHz (m Ω)
Un 1500VDC, Urms 570VAC, Us 2250V								
PSM334*3ZD2G**S1	0.33	42.5	24.5	27.5	800	264	13.5	4.6
PSM394*3ZC30**S1	0.39	42.5	22.0	30.0	800	312	13.5	4.3
PSM474*3ZG3E**S1	0.47	42.5	33.5	35.5	800	376	18.0	3.7
PSM474*3ZE37**S1	0.47	42.5	28.0	37.0	800	376	17.5	3.7
PSM684*3ZG3E**S1	0.68	42.5	33.5	35.5	800	544	19.5	3.1
PSM684*3ZE37**S1	0.68	42.5	28.0	37.0	800	544	19.0	3.1
PSM754*3ZG3E**S1	0.75	42.5	33.5	35.5	800	600	20.5	2.8
PSM105*3ZH45**S1	1	42.5	33.0	45.0	800	800	23.0	2.5
PSM105*3ZF45**S1	1	42.5	30.0	45.0	800	800	22.5	2.5
PSM125*3ZS45**S1	1.2	57.5	30.0	45.0	560	672	25.0	2.8
PSM155*3ZT50**S1	1.5	57.5	35.0	50.0	560	840	28.0	2.5
PSM185*3ZT50**S1	1.8	57.5	35.0	50.0	560	1008	29.5	2.3
PSM255*3ZU56**S1	2.5	57.5	42.5	56.0	560	1400	31.0	1.8
Un 1700VDC, Urms 575VAC, Us 2550V								
PSM224*37D2G**S1	0.22	42.5	24.5	27.5	880	194	13.2	5.3
PSM224*37B28**S1	0.22	42.5	17.0	28.0	880	194	13.0	5.3
PSM334*37D2G**S1	0.33	42.5	24.5	27.5	880	290	14.0	5.0
PSM334*37C30**S1	0.33	42.5	22.0	30.0	880	290	13.5	5.0
PSM474*37G3E**S1	0.47	42.5	33.5	35.5	880	413	19.0	3.8
PSM474*37E37**S1	0.47	42.5	28.0	37.0	880	413	18.5	3.8
PSM564*37G3E**S1	0.56	42.5	33.5	35.5	880	492	19.5	3.1
PSM564*37E37**S1	0.56	42.5	28.0	37.0	880	492	19.0	3.1
PSM684*37G3E**S1	0.68	42.5	33.5	35.5	880	598	20.0	2.9
PSM824*37H45**S1	0.82	42.5	33.0	45.0	880	721	22.1	2.5
PSM824*37F45**S1	0.82	42.5	30.0	45.0	880	721	19.5	2.5
PSM105*37S45**S1	1	57.5	30.0	45.0	610	610	23.5	2.7
PSM125*37S45**S1	1.2	57.5	30.0	45.0	610	732	26.2	2.6
PSM155*37T50**S1	1.5	57.5	35.0	50.0	610	915	28.5	2.4
PSM225*37U56**S1	2.2	57.5	42.5	56.0	610	1342	30.0	1.8
Un 2000VDC, Urms 630VAC, Us 3000V								
PSM104*3DD2G**S1	0.1	42.5	24.5	27.5	1000	100	8.0	13.0
PSM104*3DA26**S1	0.1	42.5	15.0	26.0	1000	100	8.5	13.0
PSM154*3DD2G**S1	0.15	42.5	24.5	27.5	1000	150	10.5	7.5
PSM154*3DB28**S1	0.15	42.5	17.0	28.0	1000	150	10.0	7.5
PSM224*3DD2G**S1	0.22	42.5	24.5	27.5	1000	220	12.0	5.1
PSM224*3DC30**S1	0.22	42.5	22.0	30.0	1000	220	11.5	5.1
PSM334*3DG3E**S1	0.33	42.5	33.5	35.5	1000	330	16.5	4.1
PSM334*3DE37**S1	0.33	42.5	28.0	37.0	1000	330	16.0	4.1
PSM394*3DG3E**S1	0.39	42.5	33.5	35.5	1000	390	17.5	3.6
PSM394*3DE37**S1	0.39	42.5	28.0	37.0	1000	390	17.0	3.6
PSM474*3DH45**S1	0.47	42.5	33.0	45.0	1000	470	20.5	3.2
PSM474*3DE37**S1	0.47	42.5	28.0	37.0	1000	470	20.0	3.2
PSM564*3DH45**S1	0.56	42.5	33.0	45.0	1000	560	21.5	3.0
PSM684*3DS45**S1	0.68	57.5	30.0	45.0	700	476	22.5	3.5
PSM824*3DS45**S1	0.82	57.5	30.0	45.0	700	574	24.0	3.1
PSM105*3DT50**S1	1	57.5	35.0	50.0	700	700	27.0	2.8
PSM125*3DT50**S1	1.2	57.5	35.0	50.0	700	840	29.0	2.4
PSM185*3DU56**S1	1.8	57.5	42.5	56.0	700	1260	31.0	2.0

規格若有任何變更將不予通知。如有產品安全或技術問題，請即與我司業務部或代理商聯繫。

Specifications are subject to change without notice. For any concern on safety or technical aspects on the product, please contact our sales offices or agents immediately.

產品編碼和電性規格 PART NUMBER AND ELECTRICAL SPECIFICATIONS

產品編碼 Part Number	容量 Cap (μ F)	長度 L (mm)	寬度 B (mm)	高度 H (mm)	電壓 上升 速率 du/dt (v/ μ s)	峰值 電流 I _{peak} (A)	紋波 電流 I _{rms} @25°C @10kHz (A)	等效 串聯 電阻 ESR@ 100kHz (m Ω)
Un 2500VDC, Urms 700VAC, Us 3750V								
PSM104*3ED2G**S1	0.1	42.5	24.5	27.5	1350	135	9.0	11.2
PSM104*3EB28**S1	0.1	42.5	17.0	28.0	1350	135	8.5	11.2
PSM154*3ED2G**S1	0.15	42.5	24.5	27.5	1350	202	11.0	7.2
PSM154*3EC30**S1	0.15	42.5	22.0	30.0	1350	202	10.5	7.2
PSM224*3EG3E**S1	0.22	42.5	33.5	35.5	1350	297	15.0	5.2
PSM224*3EE37**S1	0.22	42.5	28.0	37.0	1350	297	14.5	5.2
PSM334*3EG3E**S1	0.33	42.5	33.5	35.5	1350	445	18.0	3.8
PSM474*3EH45**S1	0.47	42.5	33.0	45.0	1350	634	22.0	3.0
PSM564*3ES45**S1	0.56	57.5	30.0	45.0	945	530	22.5	3.5
PSM684*3ET50**S1	0.68	57.5	35.0	50.0	945	642	25.0	3.2
PSM824*3ET50**S1	0.82	57.5	35.0	50.0	945	774	26.0	2.9
PSM125*3EU56**S1	1.2	57.5	42.5	56.0	945	1134	28.0	2.4
Un 3000VDC, Urms 750VAC, Us 5500V								
PSM473*3ID2G**S1	0.047	42.5	24.5	27.5	1600	75	7.4	17.0
PSM473*3IA26**S1	0.047	42.5	15.0	26.0	1600	75	7.0	17.0
PSM683*3ID2G**S1	0.068	42.5	24.5	27.5	1600	108	9.0	12.0
PSM683*3IB28**S1	0.068	42.5	17.0	28.0	1600	108	8.5	12.0
PSM104*3IG3E**S1	0.1	42.5	33.5	35.5	1600	160	12.0	8.5
PSM104*3IC30**S1	0.1	42.5	22.0	30.0	1600	160	11.5	8.5
PSM154*3IG3E**S1	0.15	42.5	33.5	35.5	1600	240	14.5	6.1
PSM154*3IE37**S1	0.15	42.5	28.0	37.0	1600	240	14.0	6.1
PSM224*3IH45**S1	0.22	42.5	33.0	45.0	1600	352	17.6	1.3
PSM224*3IF45**S1	0.22	42.5	30.0	45.0	1600	352	17.0	1.3
PSM334*3IS45**S1	0.33	57.5	30.0	45.0	870	288	21.0	4.2
PSM474*3IT50**S1	0.47	57.5	35.0	50.0	870	408	23.0	3.9
PSM564*3IT50**S1	0.56	57.5	35.0	50.0	870	487	23.0	3.8
PSM824*3IU56**S1	0.82	57.5	42.5	56.0	870	714	26.0	3.0

備註： 產品編碼的第7位的“*”是代表可選容差為 J= \pm 5% 或 K= \pm 10%。

產品編碼的第13位和第14位的“**”是代表可選25種接線片形式 SB(8B), SK(8K), SU(8U), SC(8C), UF(HF), CF(8F), SR(5R, 6R), SG(6G, 8G), SN(2N), ST, TF, SE, SD 和 SL。

Remark : The “*” in 7th digit is used for the capacitance tolerance, J= \pm 5% or K= \pm 10%.

The “**” in 13th and 14th digits are used for the lug style: SB(8B), SK(8K), SU(8U), SC(8C), UF(HF), CF(8F), SR(5R, 6R), SG(6G, 8G), SN(2N), ST, TF, SE, SD and SL.

規格若有任何變更將不予通知。如有產品安全或技術問題，請即與我司業務部或代理商聯繫。
Specifications are subject to change without notice. For any concern on safety or technical aspects on the product, please contact our sales offices or agents immediately.

PSM 系列 Series

IGBT 吸收電容器 IGBT Snubber

接線鍍錫銅片的形式和尺寸 LUG STYLE & DIMENSIONS

按 IGBT 模件的安裝連接指引選擇合適的接線片形式。
Chose the correct styles according to the assembly instruction of IGBT module.

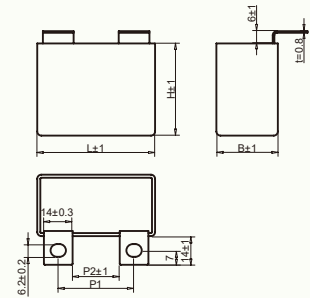
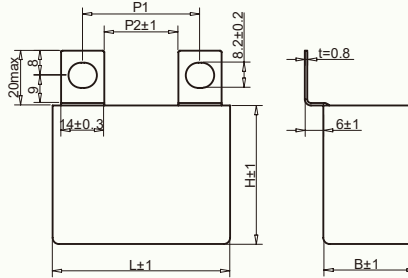
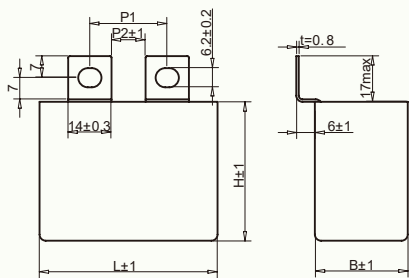
產品編碼的第13位元和第14位的“**”是代表可選25種接線片形式。
SB(8B), SK(8K), SU(8U), SC(8C), UF(HF), CF(8F), SR(5R, 6R), SG(6G, 8G), SN(2N), ST, TF, SE, SD 和 SL。
The code includes the 13th and 14th digits“**”. You can change the symbol according to your selections.
SB(8B), SK(8K), SU(8U), SC(8C), UF(HF), CF(8F), SR(5R, 6R), SG(6G, 8G), SN(2N), ST, TF, SE, SD and SL.



產品編碼 Part Number: PSM105*2SD2G**S1

接線片形式 Lug Style: SB(8B), SK(8K), SU(8U), SC(8C), UF(HF), CF(8F), SR(5R, 6R), SG(6G, 8G), SN(2N), ST, TF, SE, SD and SL.

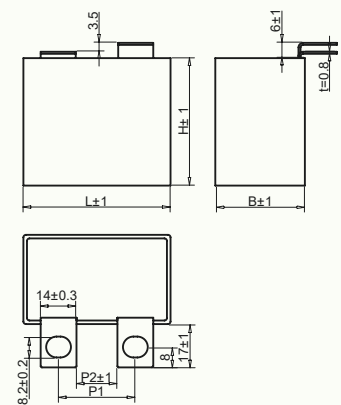
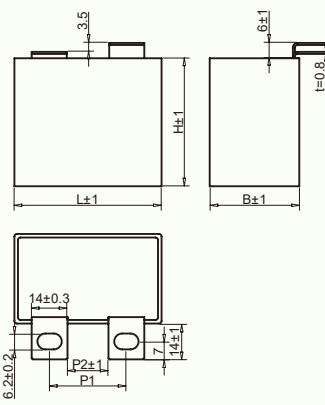
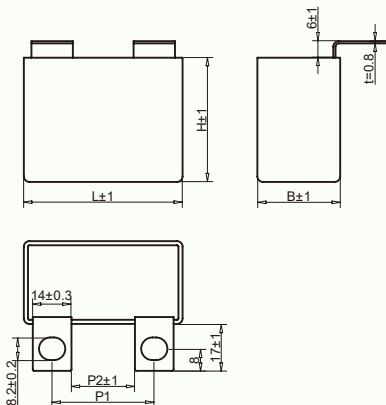
接線片間距 Fixing pitch and distance between lugs (mm)



L	接出口 Output: M6			
	SB 形式 Style		8B 形式 Style	
	P2	P1	P2	P1
42.5	11	23-28	8	20-25
57.5	11	23-28	24	36-41

L	接出口 Output: M8			
	SK 形式 Style		8K 形式 Style	
	P2	P1	P2	P1
42.5	11	24-26	8	21-23
57.5	11	24-26	24	37-39

L	接出口 Output: M6			
	SU 形式 Style		8U 形式 Style	
	P2	P1	P2	P1
42.5	11	23-28	8	20-25
57.5	11	23-28	24	36-41



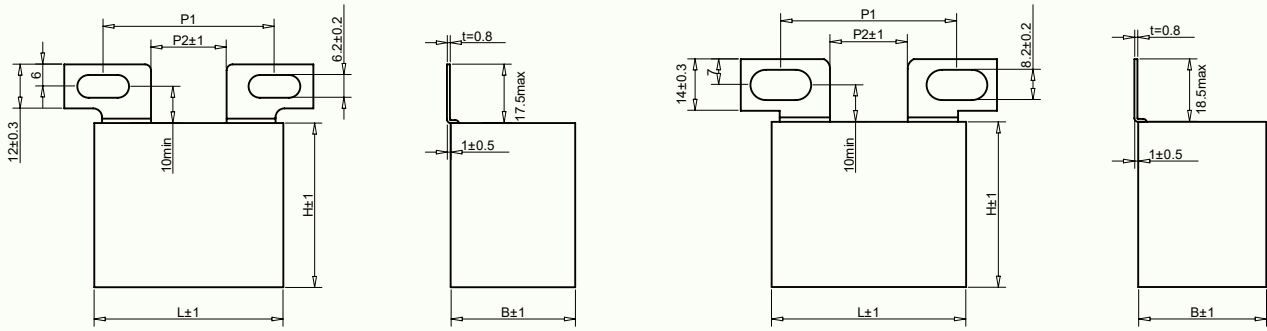
L	接出口 Output: M8			
	SC 形式 Style		8C 形式 Style	
	P2	P1	P2	P1
42.5	11	24-26	8	21-23
57.5	11	24-26	24	37-39

L	接出口 Output: M6			
	UF 形式 Style		HF 形式 Style	
	P2	P1	P2	P1
42.5	11	23-28	8	20-25
57.5	11	23-28	24	36-41

L	接出口 Output: M8			
	CF 形式 Style		8F 形式 Style	
	P2	P1	P2	P1
42.5	11	24-26	8	21-23
57.5	11	24-26	24	37-39

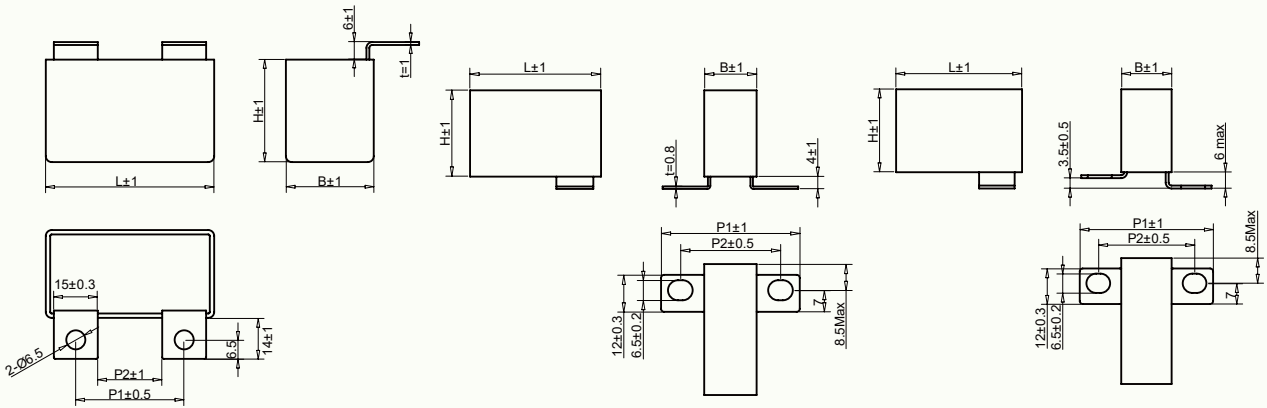
規格若有任何變更將不予通知。如有產品安全或技術問題，請即與我司業務部或代理商聯繫。
Specifications are subject to change without notice. For any concern on safety or technical aspects on the product, please contact our sales offices or agents immediately.

接線片間距 Fixing pitch and distance between lugs (mm)



L	接出口 Output: M6					
	SR 形式 Style		5R 形式 Style		6G 形式 Style	
	P2	P1	P2	P1	P2	P1
42.5	11	29-39	15	33-45		
57.5	11	29-39	15	33-45	28	46-58

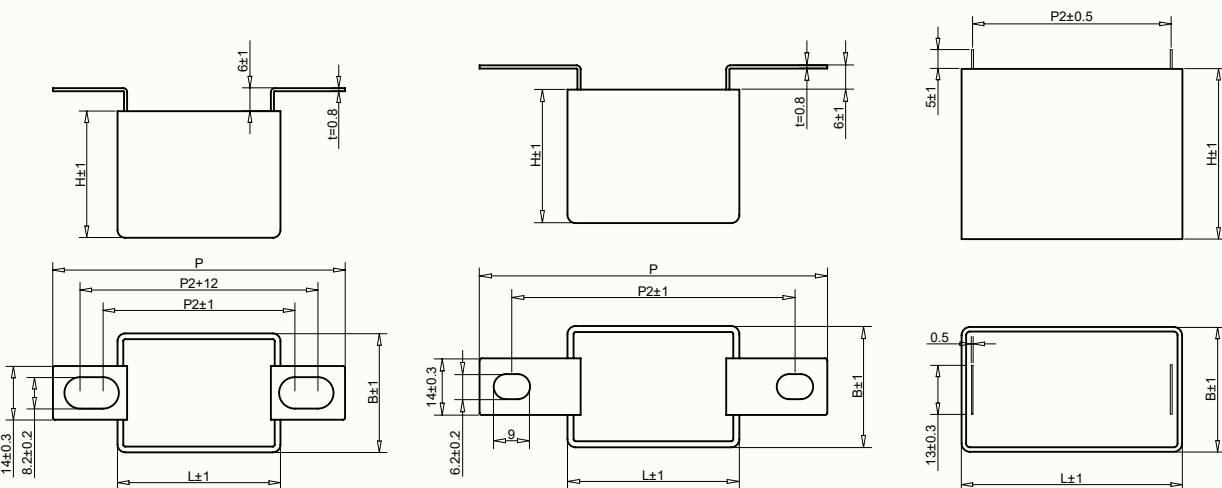
L	接出口 Output: M8					
	8G 形式 Style		SG 形式 Style		6G 形式 Style	
	P2	P1	P2	P1	P2	P1
42.5	8	33-42	15	40-49		
57.5	15	40-49	24	49-58	28	53-62



L	接出口 Output: M8			
	SN 形式 Style		2N 形式 Style	
	P2	P	P2	P
42.5	8	23		
57.5	13	28	22	37

B	接出口 Output: M6	
	ST 形式 Style	
	P2	P1
15	30	43
17	32	45

B	接出口 Output: M6	
	TF 形式 Style	
	P2	P1
15	30	43
17	32	45



L	接出口 Output: M8	
	SE 形式 Style	
	P2	P (max)
42.5	50	82
57.5	65	97

L	接出口 Output: M6	
	SD 形式 Style	
	P2	P (max)
42.5	67-73	91
57.5	82-88	106


L	SL 形式 Style
	P2
42.5	37.5
57.5	52.5

規格若有任何變更將不予通知。如有產品安全或技術問題，請即與我司業務部或代理商聯繫。
Specifications are subject to change without notice. For any concern on safety or technical aspects on the product, please contact our sales offices or agents immediately.

PSD/PS4 系列 Series

IGBT 吸收電容器 IGBT Snubber

基本技術特點 GENERAL TECHNICAL CHARACTERISTICS

引用標準 Reference Standards	IEC 61071-60068	
絕緣介質 Dielectric	聚丙烯薄膜 Polypropylene film	
結構 Construction	雙面金屬化膜, 內部串聯結構 Double sided metallized film with internal series connection	
封裝 Coating	UL94V-0 阻燃防火和耐溶劑塑膠殼並以環氧樹脂灌封 Solvent resistant plastic case with resin sealing Flame retardant execution (UL94V-0)	
引出端連接形式 Leads	以螺絲作固定的接線鍍錫銅片 Tinned copper lugs for screw fixing	

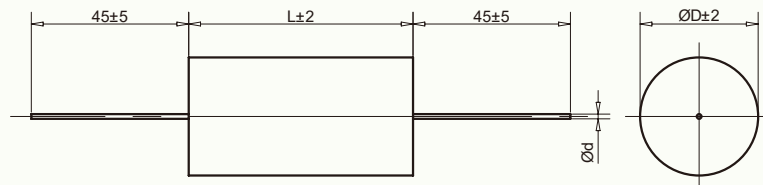
技術規格 ELECTRICAL CHARACTERISTICS

工作溫度 Operating Temperature	-40 to +85°C (外殼 case)
電容量 Capacitance	0.0068 to 8.5μF
額定電壓 Rated Voltage	700 to 3000VDC
容差 Tolerance	±5% or ±10%
損耗因數 Dissipation Factor	≤6×10 ⁻⁴ 在1000±20Hz和25±5°C測定 ≤6×10 ⁻⁴ measured at 1000±20Hz and 25±5°C
預期壽命 Life Expectancy	在額定電壓和 70°C (熱點溫度) 的條件下可達100,000小時 100,000 hours at Un and 70°C (Hot-spot temperature)

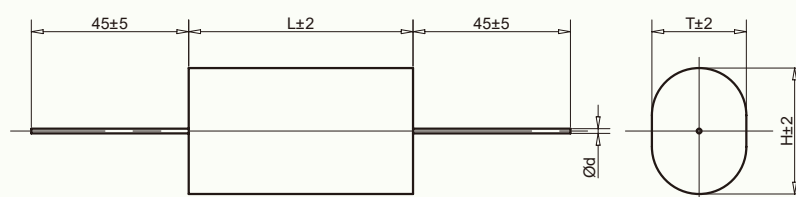
測試 TEST METHODS AND PERFORMANCE

極間耐電壓 Voltage withstand between terminals	在1.5倍額定電壓Un下持續10秒 (25±5°C) 1.5Un (DC) applied for 10 sec at 25±5°C
極殼之間耐電壓 Test Voltage Terminal to Case	3kVAC/50Hz 持續60秒 3kVAC/50Hz for 60 sec
自放電時間常數 Self discharge time constant	≥30,000 秒不超過30GΩ (典型值), 電容器充電1分鐘後增加100VDC (25±5°C) ≥30,000 sec but need not exceed 30GΩ (typical value), after 1 minute of electrification at 100VDC (25±5°C)

PSD Series



PS4 Series



規格若有任何變更將不予通知。如有產品安全或技術問題, 請即與我司業務部或代理商聯繫。
Specifications are subject to change without notice. For any concern on safety or technical aspects on the product, please contact our sales offices or agents immediately.

產品編碼和電性規格 PART NUMBER AND ELECTRICAL SPECIFICATIONS

產品編碼 Part Number	容量 Cap (μ F)	尺寸 Dimension (mm)				電壓 上升 速率 du/dt (v/ μ s)	峰值 電流 Ipeak (A)	紋波 電流 Irms @25°C @10kHz (A)	等效 串聯 電阻 ESR@ 100kHz (m Ω)	
		長度 L	圓 Round	橢圓 Oval						引線 直徑 d
			直徑 D	短軸 T	長軸 H					
Un 700VDC, Urms 380VAC, Us 1050V										
PSD334*2S422RRS1	0.33	32	14.2			0.8	480	158	6	6.9
PSD474*2SK62RRS1	0.47	32	16.6			0.8	480	226	8	4.7
PSD684*2S972RRS1	0.68	32	19.7			1.0	480	326	9	3.9
PSD684*2S564RRS1	0.68	44	15.6			1.0	325	221	9	4.4
PSD105*2SL74RRS1	1	44	18.7			1.2	325	325	9	3.9
PSD155*2SN64RRS1	1.5	44	22.6			1.2	325	488	12	3.3
PSD205*2SO94RRS1	2	44	25.9			1.2	325	650	12	3.0
PSD225*2S7A4RRS1	2.2	44	27.1			1.2	325	715	12	2.9
PSD225*2SN6GRRS1	2.2	57	22.6			1.2	240	528	12	3.8
PSD255*2S884RRS1	2.5	44	28.8			1.2	325	813	12	3.5
PSD255*2SD0GRRS1	2.5	57	24.0			1.2	240	600	12	3.8
PSD305*2S144RRS1	3	44	31.4			1.2	325	975	12	3.1
PSD305*2SF2GRRS1	3	57	26.2			1.2	240	720	12	3.3
PSD335*2S294RRS1	3.3	44	32.9			1.2	325	1073	12	2.9
PSD355*2S82GRRS1	3.5	57	28.2			1.2	240	840	12	2.7
PSD405*2SP0GRRS1	4	57	30.0			1.2	240	960	12	2.6
PSD475*2S25GRRS1	4.7	57	32.5			1.2	240	1128	12	2.5
PSD565*2SQ4GRRS1	5.6	57	35.4			1.2	240	1344	12	2.3
PSD685*2S89GRRS1	6.8	57	38.9			1.2	240	1632	12	2.0
PSD855*2SV6GRRS1	8.5	57	43.3			1.2	240	2040	12	1.6
PS4224*2SFR2RRS1	0.22	32		7.9	14.3	0.8	480	106	5.5	9.9
PS4334*2SGJ2RRS1	0.33	32		9.5	17.5	0.8	480	158	6	6.9
PS4474*2SAK2RRS1	0.47	32		11.9	19.9	0.8	480	226	8	4.7
PS4684*2SBD2RRS1	0.68	32		14.9	22.9	1.0	480	326	9	3.9
PS4684*2SAF4RRS1	0.68	44		10.9	18.9	1.0	325	221	9	4.4
PS4105*2SAW4RRS1	1	44		13.9	21.9	1.2	325	325	9	3.9
PS4155*2SBX4RRS1	1.5	44		16.3	27.5	1.2	325	488	12	3.3
PS4205*2SCK4RRS1	2	44		19.5	30.7	1.2	325	650	12	3.0
PS4225*2SCP4RRS1	2.2	44		20.7	31.9	1.2	325	715	12	2.9
PS4225*2SBXGRRS1	2.2	57		16.3	27.5	1.2	240	528	12	3.8
PS4255*2SCX4RRS1	2.5	44		22.4	33.6	1.2	325	813	12	3.5
PS4255*2SCAGRRS1	2.5	57		17.7	28.9	1.2	240	600	12	3.8
PS4305*2SDZ4RRS1	3	44		25.0	36.2	1.2	325	975	12	3.1
PS4305*2SCLGRRS1	3	57		19.8	31.0	1.2	240	720	12	3.3
PS4335*2SEA4RRS1	3.3	44		26.4	37.6	1.2	325	1073	12	2.9
PS4355*2SCSGRRS1	3.5	57		21.8	33.0	1.2	240	840	12	2.7
PS4405*2SDHGRRS1	4	57		23.6	34.8	1.2	240	960	12	2.6
PS4475*2SEEGRRS1	4.7	57		26.0	37.2	1.2	240	1128	12	2.5
PS4565*2SEQGRRS1	5.6	57		28.8	40.0	1.2	240	1344	12	2.3

規格若有任何變更將不予通知。如有產品安全或技術問題，請即與我司業務部或代理商聯繫。
Specifications are subject to change without notice. For any concern on safety or technical aspects on the product, please contact our sales offices or agents immediately.

產品編碼和電性規格 PART NUMBER AND ELECTRICAL SPECIFICATIONS

產品編碼 Part Number	容量 Cap (μ F)	尺寸 Dimension (mm)				電壓 上升 速率 du/dt (V/ μ s)	峰值 電流 I _{peak} (A)	紋波 電流 I _{rms} @25°C @10kHz (A)	等效 串聯 電阻 ESR@ 100kHz (m Ω)	
		長度 L	圓 Round	橢圓 Oval						引線 直徑 d
			直徑 D	短軸 T	長軸 H					
Un 850VDC, Urms 550VAC, Us 1275V										
PSD224*2RJ72RRS1	0.22	32	13.7			0.8	700	154	6.5	6.5
PSD224*2RY14RRS1	0.22	44	11.1			0.8	400	88	6.5	7.9
PSD334*2RK42RRS1	0.33	32	16.4			1.0	700	231	8	4.8
PSD334*2RJ24RRS1	0.33	44	13.2			1.0	400	132	7.5	6.2
PSD474*2R932RRS1	0.47	32	19.3			1.0	700	329	9	9.5
PSD474*2R544RRS1	0.47	44	15.4			1.0	400	188	9	5.3
PSD684*2RL24RRS1	0.68	44	18.2			1.0	400	272	9	3.2
PSD105*2RB84RRS1	1	44	21.8			1.2	400	400	12	3.3
PSD155*2RF44RRS1	1.5	44	26.4			1.2	400	600	12	2.8
PSD205*2RP44RRS1	2	44	30.4			1.2	400	800	12	3.0
PSD225*2R184RRS1	2.2	44	31.8			1.2	400	880	12	2.3
PSD225*2RF5GRRS1	2.2	57	26.5			1.2	290	638	12	2.8
PSD255*2R384RRS1	2.5	44	33.8			1.2	400	1000	12	2.6
PSD255*2R81GRRS1	2.5	57	28.1			1.2	290	725	12	2.8
PSD305*2RP7GRRS1	3	57	30.7			1.2	290	870	12	2.6
PSD335*2R22GRRS1	3.3	57	32.2			1.2	290	957	12	2.4
PSD405*2RQ3GRRS1	4	57	35.3			1.2	290	1160	12	2.3
PSD475*2RH2GRRS1	4.7	57	38.2			1.2	290	1363	12	2.0
PSD565*2RI6GRRS1	5.6	57	41.6			1.2	290	1624	12	1.7
PS4104*2RFC2RRS1	0.1	32		5.9	12.3	0.8	700	70	4	11.5
PS4154*2RFN2RRS1	0.15	32		7.6	14.0	0.8	700	105	5.5	8.6
PS4224*2RGH2RRS1	0.22	32		9.1	17.1	0.8	700	154	6.5	6.5
PS4224*2RFJ4RRS1	0.22	44		7.1	13.5	0.8	400	88	6.5	7.9
PS4334*2RAJ2RRS1	0.33	32		11.7	19.7	1.0	700	231	8	4.8
PS4334*2RGC4RRS1	0.33	44		8.5	16.5	1.0	400	132	7.5	6.2
PS4474*2RBB2RRS1	0.47	32		14.6	22.6	1.0	700	329	9	9.5
PS4474*2RAE4RRS1	0.47	44		10.7	18.7	1.0	400	188	9	5.3
PS4684*2RAU4RRS1	0.68	44		13.5	21.5	1.0	400	272	9	3.2
PS4105*2RBQ4RRS1	1	44		15.6	26.8	1.2	400	400	12	3.3
PS4155*2RCN4RRS1	1.5	44		20.1	31.3	1.2	400	600	12	2.8
PS4205*2RDM4RRS1	2	44		23.9	35.1	1.2	400	800	12	3.0
PS4225*2RDU4RRS1	2.2	44		25.3	36.5	1.2	400	880	12	2.3
PS4225*2RCNGRRS1	2.2	57		20.1	31.3	1.2	290	638	12	2.8
PS4255*2REH4RRS1	2.5	44		27.3	38.5	1.2	400	1000	12	2.6
PS4255*2RCRGRRS1	2.5	57		21.7	32.9	1.2	290	725	12	2.8
PS4305*2RDPGRRS1	3	57		24.3	35.5	1.2	290	870	12	2.6
PS4335*2RDWGRS1	3.3	57		25.7	36.9	1.2	290	957	12	2.4
PS4405*2REQGRRS1	4	57		28.8	40.0	1.2	290	1160	12	2.3

規格若有任何變更將不予通知。如有產品安全或技術問題，請即與我司業務部或代理商聯繫。
Specifications are subject to change without notice. For any concern on safety or technical aspects on the product, please contact our sales offices or agents immediately.

產品編碼和電性規格 PART NUMBER AND ELECTRICAL SPECIFICATIONS

產品編碼 Part Number	容量 Cap (μ F)	尺寸 Dimension (mm)				電壓 上升 速率 du/dt (v/ μ s)	峰值 電流 I _{peak} (A)	紋波 電流 I _{rms} @25°C @10kHz (A)	等效 串聯 電阻 ESR@ 100kHz (m Ω)	
		長度 L	圓 Round	橢圓 Oval						引線 直徑 d
			直徑 D	短軸 T	長軸 H					
Un 1000VDC, Urms 580VAC, Us 1500V										
PSD224*3A562RRS1	0.22	32	15.6			1.0	850	187	7	7.8
PSD334*3AL72RRS1	0.33	32	18.7			1.0	850	281	9	4.5
PSD334*3A494RRS1	0.33	44	14.9			1.0	570	188	9	5.8
PSD474*3AN12RRS1	0.47	32	22.1			1.0	850	400	9	3.8
PSD474*3A754RRS1	0.47	44	17.5			1.0	570	268	9	4.7
PSD684*3AM84RRS1	0.68	44	20.8			1.0	570	388	9	4.0
PSD105*3AO04RRS1	1	44	25.0			1.2	570	570	12	3.2
PSD155*3AP34RRS1	1.5	44	30.3			1.2	570	855	12	3.6
PSD155*3AO2GRRS1	1.5	57	25.2			1.2	340	510	12	3.9
PSD205*3AA0GRRS1	2	57	29.0			1.2	340	680	12	3.0
PSD225*3AP3GRRS1	2.2	57	30.3			1.2	340	748	12	2.7
PSD305*3AQ3GRRS1	3	57	35.3			1.2	340	1020	12	2.4
PSD335*3A69GRRS1	3.3	57	36.9			1.2	340	1122	12	2.1
PSD405*3AR6GRRS1	4	57	40.6			1.2	340	1360	12	1.8
PSD475*3AV9GRRS1	4.7	57	43.9			1.2	340	1598	12	1.6
PS4104*3AFQ2RRS1	0.1	32		7.7	12.5	0.8	850	85	5	12.0
PS4154*3AGG2RRS1	0.15	32		9.1	15.5	0.8	850	128	6	8.2
PS4224*3AAF2RRS1	0.22	32		10.9	18.9	1.0	850	187	7	7.8
PS4334*3ABF2RRS1	0.33	32		14.0	22.0	1.0	850	281	9	4.5
PS4334*3AAC4RRS1	0.33	44		10.2	18.2	1.0	570	188	9	5.8
PS4474*3ABU2RRS1	0.47	32		15.9	27.1	1.0	850	400	9	3.8
PS4474*3AAR4RRS1	0.47	44		12.8	20.8	1.0	570	268	9	4.7
PS4684*3ABC4RRS1	0.68	44		14.6	25.8	1.0	570	388	9	4.0
PS4105*3ACG4RRS1	1	44		18.6	29.8	1.2	570	570	12	3.2
PS4155*3ADM4RRS1	1.5	44		23.9	35.1	1.2	570	855	12	3.6
PS4155*3ACJGRRS1	1.5	57		18.9	30.1	1.2	340	510	12	3.9
PS4205*3ACZGRRS1	2	57		22.6	33.8	1.2	340	680	12	3.0
PS4225*3ADMGRRS1	2.2	57		23.9	35.1	1.2	340	748	12	2.7
PS4305*3AEPGRRS1	3	57		28.7	39.9	1.2	340	1020	12	2.4
PS4335*3AEWGRRS1	3.3	57		32.9	39.3	1.2	340	1122	12	2.1

規格若有任何變更將不予通知。如有產品安全或技術問題，請即與我司業務部或代理商聯繫。
Specifications are subject to change without notice. For any concern on safety or technical aspects on the product, please contact our sales offices or agents immediately.

產品編碼和電性規格 PART NUMBER AND ELECTRICAL SPECIFICATIONS

產品編碼 Part Number	容量 Cap (μF)	尺寸 Dimension (mm)				電壓 上升 速率 du/dt (V/ μs)	峰值 電流 Ipeak (A)	紋波 電流 I _{rms} @25°C @10kHz (A)	等效 串聯 電阻 ESR@ 100kHz (m Ω)	
		長度 L	圓 Round	橢圓 Oval						引線 直徑 d
			直徑 D	短軸 T	長軸 H					
Un 1200VDC, Urms 500VAC, Us 1800V										
PSD104*3O984RRS1	0.1	44	9.8			0.8	650	65	5	13.1
PSD154*3O432RRS1	0.15	32	14.3			1.0	1100	165	6	7.7
PSD154*3OH77RRS1	0.15	37	12.7			1.0	840	126	6	8.7
PSD154*3OY54RRS1	0.15	44	11.5			1.0	650	98	6	10.0
PSD224*3O702RRS1	0.22	32	17.0			1.0	1100	242	9	5.4
PSD224*3OJ64RRS1	0.22	44	13.6			1.0	650	143	9	7.6
PSD334*3OM52RRS1	0.33	32	20.5			1.0	1100	363	9	4.5
PSD334*3OK34RRS1	0.33	44	16.3			1.0	650	215	9	5.4
PSD474*3O974RRS1	0.47	44	19.7			1.0	650	306	9	4.8
PSD684*3ON84RRS1	0.68	44	22.8			1.2	650	442	12	3.9
PSD105*3O7D4RRS1	1	44	27.4			1.2	650	650	12	3.4
PSD105*3ON8GRRS1	1	57	22.8			1.2	385	385	12	3.8
PSD125*3OA94RRS1	1.2	44	29.9			1.2	650	780	12	3.0
PSD125*3OD9GRRS1	1.2	57	24.9			1.2	385	462	12	3.4
PSD155*3O334RRS1	1.5	44	33.3			1.2	650	975	12	2.7
PSD155*3O7GGRRS1	1.5	57	27.7			1.2	385	578	12	3.0
PSD205*3O18GRRS1	2	57	31.8			1.2	385	770	12	2.6
PSD225*3O33GRRS1	2.2	57	33.3			1.2	385	847	12	2.5
PSD255*3OQ4GRRS1	2.5	57	35.4			1.2	385	963	12	2.3
PSD305*3O87GRRS1	3	57	38.7			1.2	385	1155	12	2.0
PSD335*3OR6GRRS1	3.3	57	40.6			1.2	385	1270	12	1.7
PSD405*3OX6GRRS1	4	57	44.6			1.2	385	1540	12	1.5
PS4473*3OEZ2RRS1	0.047	32		5.5	10.3	0.8	1100	52	3	19.4
PS4683*3OFG2RRS1	0.068	32		6.9	11.7	0.8	1100	75	3.5	12.0
PS4104*3OGD2RRS1	0.1	32		8.7	13.5	0.8	1100	110	5	10.7
PS4104*3OFB4RRS1	0.1	44		5.8	12.2	0.8	650	65	5	13.1
PS4154*3OGK2RRS1	0.15	32		9.6	17.6	1.0	1100	165	6	7.7
PS4154*3OFX7RRS1	0.15	37		8.1	16.1	1.0	840	126	6	8.7
PS4154*3OFM4RRS1	0.15	44		7.5	13.9	1.0	650	98	6	10.0
PS4224*3OAM2RRS1	0.22	32		12.3	20.3	1.0	1100	242	9	5.4
PS4224*3OGF4RRS1	0.22	44		8.9	16.9	1.0	650	143	9	7.6
PS4334*3OBR2RRS1	0.33	32		15.7	23.7	1.0	1100	363	9	4.5
PS4334*3OAH4RRS1	0.33	44		11.6	19.6	1.0	650	215	9	5.4
PS4474*3OAZ4RRS1	0.47	44		14.4	22.4	1.0	650	306	9	4.8
PS4684*3OBY4RRS1	0.68	44		16.5	27.7	1.2	650	442	12	3.9
PS4105*3OCT4RRS1	1	44		21.0	32.2	1.2	650	650	12	3.4
PS4105*3OBYGRRS1	1	57		16.5	27.7	1.2	385	385	12	3.8
PS4125*3ODF4RRS1	1.2	44		23.4	34.6	1.2	650	780	12	3.0
PS4125*3OCFGRRS1	1.2	57		18.5	29.7	1.2	385	462	12	3.4
PS4155*3OED4RRS1	1.5	44		26.8	38.0	1.2	650	975	12	2.7
PS4155*3OCQGRRS1	1.5	57		21.3	32.5	1.2	385	578	12	3.0
PS4205*3ODUGRRS1	2	57		25.3	36.5	1.2	385	770	12	2.6
PS4225*3OEDGRRS1	2.2	57		26.8	38.0	1.2	385	847	12	2.5
PS4255*3OESGRRS1	2.5	57		28.9	40.1	1.2	385	963	12	2.3

規格若有任何變更將不予通知。如有產品安全或技術問題，請即與我司業務部或代理商聯繫。
Specifications are subject to change without notice. For any concern on safety or technical aspects on the product, please contact our sales offices or agents immediately.

產品編碼和電性規格 PART NUMBER AND ELECTRICAL SPECIFICATIONS

產品編碼 Part Number	容量 Cap (μ F)	尺寸 Dimension (mm)					電壓 上升 速率 du/dt (v/ μ s)	峰值 電流 Ipeak (A)	紋波 電流 Irms @25°C @10kHz (A)	等效 串聯 電阻 ESR@ 100kHz (m Ω)
		長度 L	圓 Round	橢圓 Oval		引線 直徑 d				
			直徑 D	短軸 T	長軸 H					
Un 1500VDC, Urms 570VAC, Us 2250V										
PSD104*3Z472RRS1	0.1	32	14.7			0.8	1225	123	5.5	9.6
PSD154*3Z772RRS1	0.15	32	17.7			1.0	1225	184	7	7.2
PSD224*3ZB12RRS1	0.22	32	21.1			1.0	1225	270	9	5.3
PSD224*3ZK84RRS1	0.22	44	16.8			1.0	800	176	9	7.0
PSD334*3ZM24RRS1	0.33	44	20.2			1.0	800	264	9	5.3
PSD474*3ZC94RRS1	0.47	44	23.9			1.2	800	376	11	4.3
PSD684*3Z854RRS1	0.68	44	28.5			1.2	800	544	12	3.7
PSD105*3ZW44RRS1	1	44	34.4			1.2	800	800	12	3.2
PSD105*3Z86GRRS1	1	57	28.6			1.2	570	570	12	3.7
PSD125*3Z12GRRS1	1.2	57	31.2			1.2	570	684	12	3.4
PSD155*3ZW8GRRS1	1.5	57	34.8			1.2	570	855	12	2.9
PSD205*3ZR0GRRS1	2	57	40.0			1.2	570	1140	12	2.5
PSD225*3ZI9GRRS1	2.2	57	41.9			1.2	570	1254	12	2.3
PSD255*3ZX6GRRS1	2.5	57	44.6			1.2	570	1425	12	2.1
PS4104*3ZAA2RRS1	0.1	32		10.0	18.0	0.8	1225	123	5.5	9.6
PS4154*3ZAX2RRS1	0.15	32		13.0	21.0	1.0	1225	184	7	7.2
PS4224*3ZBE2RRS1	0.22	32		14.9	26.1	1.0	1225	270	9	5.3
PS4224*3ZAL4RRS1	0.22	44		12.1	20.1	1.0	800	176	9	7.0
PS4334*3ZBK4RRS1	0.33	44		15.5	23.5	1.0	800	264	9	5.3
PS4474*3ZBZ4RRS1	0.47	44		17.6	28.8	1.2	800	376	11	4.3
PS4684*3ZCU4RRS1	0.68	44		22.1	33.3	1.2	800	544	12	3.7
PS4105*3ZEJ4RRS1	1	44		27.9	39.1	1.2	800	800	12	3.2
PS4105*3ZCVGRRS1	1	57		22.2	33.4	1.2	570	570	12	3.7
PS4125*3ZDRGRRS1	1.2	57		24.8	36.0	1.2	570	684	12	3.4
PS4155*3ZEKGRRS1	1.5	57		28.3	39.5	1.2	570	855	12	2.9

規格若有任何變更將不予通知。如有產品安全或技術問題，請即與我司業務部或代理商聯繫。
Specifications are subject to change without notice. For any concern on safety or technical aspects on the product, please contact our sales offices or agents immediately.

產品編碼和電性規格 PART NUMBER AND ELECTRICAL SPECIFICATIONS

產品編碼 Part Number	容量 Cap (μ F)	尺寸 Dimension (mm)				電壓 上升 速率 du/dt (V/ μ s)	峰值 電流 I _{peak} (A)	紋波 電流 I _{rms} @25°C @10kHz (A)	等效 串聯 電阻 ESR@ 100kHz (m Ω)	
		長度 L	圓 Round	橢圓 Oval						引線 直徑 d
			直徑 D	短軸 T	長軸 H					
Un 1700VDC, Urms 575VAC, Us 2550V										
PSD683*37J32RRS1	0.068	32	13.3			0.8	1350	92	4.1	13.7
PSD104*37582RRS1	0.1	32	15.8			0.8	1350	135	5.7	9.3
PSD154*37912RRS1	0.15	32	19.1			1.0	1350	203	8	7.0
PSD224*37N82RRS1	0.22	32	22.8			1.0	1350	297	9	5.2
PSD224*37L94RRS1	0.22	44	18.1			1.0	880	194	9	6.8
PSD334*37B84RRS1	0.33	44	21.8			1.0	880	290	9	4.9
PSD474*37O84RRS1	0.47	44	25.8			1.2	880	414	12	4.0
PSD684*37P84RRS1	0.68	44	30.8			1.2	880	598	12	3.5
PSD105*37724RRS1	1	44	37.2			1.2	880	880	12	3.0
PSD105*37P9GRRS1	1	57	30.9			1.2	610	610	12	3.4
PSD125*3738GRRS1	1.2	57	33.8			1.2	610	732	12	3.1
PSD155*3776GRRS1	1.5	57	37.6			1.2	610	915	12	2.6
PSD205*37V6GRRS1	2	57	43.3			1.2	610	1220	12	2.4
PS4333*37FC2RRS1	0.033	32		5.9	12.3	0.8	1350	45	3.9	24.6
PS4473*37FK2RRS1	0.047	32		7.4	13.8	0.8	1350	63	4	18.2
PS4683*37GE2RRS1	0.068	32		8.7	16.7	0.8	1350	92	4.1	13.7
PS4104*37AG2RRS1	0.1	32		11.1	19.1	0.8	1350	135	5.7	9.3
PS4154*37AY2RRS1	0.15	32		14.3	22.3	1.0	1350	203	8	7.0
PS4224*37BY2RRS1	0.22	32		16.5	27.7	1.0	1350	297	9	5.2
PS4224*37AT4RRS1	0.22	44		13.3	21.3	1.0	880	194	9	6.8
PS4334*37BQ4RRS1	0.33	44		15.6	26.8	1.0	880	290	9	4.9
PS4474*37CK4RRS1	0.47	44		19.5	30.7	1.2	880	414	12	4.0
PS4684*37DQ4RRS1	0.68	44		24.4	35.6	1.2	880	598	12	3.5
PS4105*37EU4RRS1	1	44		30.6	41.8	1.2	880	880	12	3.0
PS4105*37DQGRRS1	1	57		24.4	35.6	1.2	610	610	12	3.4
PS4125*37EFGRRS1	1.2	57		27.2	38.4	1.2	610	732	12	3.1

規格若有任何變更將不予通知。如有產品安全或技術問題，請即與我司業務部或代理商聯繫。
Specifications are subject to change without notice. For any concern on safety or technical aspects on the product, please contact our sales offices or agents immediately.

產品編碼和電性規格 PART NUMBER AND ELECTRICAL SPECIFICATIONS

產品編碼 Part Number	容量 Cap (μ F)	尺寸 Dimension (mm)				電壓 上升 速率 du/dt (v/ μ s)	峰值 電流 I _{peak} (A)	紋波 電流 I _{rms} @25°C @10kHz (A)	等效 串聯 電阻 ESR@ 100kHz (m Ω)	
		長度 L	圓 Round	橢圓 Oval						引線 直徑 d
			直徑 D	短軸 T	長軸 H					
Un 2000VDC, Urms 630VAC, Us 3000V										
PSD473*3DG44RRS1	0.047	44	10.4			0.8	1000	47	4	21.0
PSD683*3D502RRS1	0.068	32	15.0			1.0	1750	119	5.5	11.8
PSD683*3DH14RRS1	0.068	44	12.1			0.8	1000	68	5.5	16.3
PSD104*3D782RRS1	0.1	32	17.8			1.0	1750	175	7.5	8.4
PSD104*3D424RRS1	0.1	44	14.2			1.0	1000	100	7	12.4
PSD154*3D714RRS1	0.15	44	17.1			1.0	1000	150	9	6.6
PSD224*3DM44RRS1	0.22	44	20.4			1.0	1000	220	9	6.0
PSD334*3DD74RRS1	0.33	44	24.7			1.2	1000	330	12	4.7
PSD474*3DA94RRS1	0.47	44	29.9			1.2	1000	473	12	3.9
PSD564*3D244RRS1	0.56	44	32.4			1.2	1000	560	12	3.6
PSD564*3DF5GRRS1	0.56	57	26.5			1.2	640	358	12	4.5
PSD684*3DA1GRRS1	0.68	57	29.1			1.2	640	435	12	4.0
PSD105*3DQ1GRRS1	1	57	35.1			1.2	640	640	12	3.3
PSD125*3DH3GRRS1	1.2	57	38.3			1.2	640	768	12	3.0
PSD155*3DTHGRRS1	1.5	57	42.8			1.2	640	960	12	2.2
PS4223*3DEY2RRS1	0.022	32		5.4	11.8	0.8	1750	39	2.5	34.5
PS4333*3DFT2RRS1	0.033	32		7.0	13.4	0.8	1750	58	3.5	23.7
PS4473*3DFX2RRS1	0.047	32		8.1	16.1	0.8	1750	82	4.5	16.8
PS4473*3DFD4RRS1	0.047	44		6.4	12.8	0.8	1000	47	4	21.0
PS4683*3DAD2RRS1	0.068	32		10.3	18.3	1.0	1750	119	5.5	11.8
PS4683*3DFV4RRS1	0.068	44		8.1	14.5	0.8	1000	68	5.5	16.3
PS4104*3DAS2RRS1	0.1	32		13.1	21.1	1.0	1750	175	7.5	8.4
PS4104*3DGG4RRS1	0.1	44		9.6	17.6	1.0	1000	100	7	12.4
PS4154*3DAN4RRS1	0.15	44		12.4	20.4	1.0	1000	150	9	6.6
PS4224*3DBN4RRS1	0.22	44		15.6	23.6	1.0	1000	220	9	6.0
PS4334*3DCC4RRS1	0.33	44		18.4	29.6	1.2	1000	330	12	4.7
PS4474*3DDF4RRS1	0.47	44		23.4	34.6	1.2	1000	473	12	3.9
PS4564*3DDY4RRS1	0.56	44		25.9	37.1	1.2	1000	560	12	3.6
PS4564*3DCNGRRS1	0.56	57		20.1	31.3	1.2	640	358	12	4.5
PS4684*3DDAGRRS1	0.68	57		22.7	33.9	1.2	640	435	12	4.0
PS4105*3DENGRS1	1	57		28.6	39.8	1.2	640	640	12	3.3

規格若有任何變更將不予通知。如有產品安全或技術問題，請即與我司業務部或代理商聯繫。
Specifications are subject to change without notice. For any concern on safety or technical aspects on the product, please contact our sales offices or agents immediately.

產品編碼和電性規格 PART NUMBER AND ELECTRICAL SPECIFICATIONS

產品編碼 Part Number	容量 Cap (μ F)	尺寸 Dimension (mm)				電壓 上升 速率 du/dt (V/ μ s)	峰值 電流 I _{peak} (A)	紋波 電流 I _{rms} @25°C @10kHz (A)	等效 串聯 電阻 ESR@ 100kHz (m Ω)	
		長度 L	圓 Round	橢圓 Oval						引線 直徑 d
			直徑 D	短軸 T	長軸 H					
Un 2500VDC, Urms 700VAC, Us 3750V										
PSD473*3E502RRS1	0.047	32	15.0			0.8	2150	101	5	15.5
PSD683*3E732RRS1	0.068	32	17.3			1.0	2150	146	6.5	11.1
PSD104*3EB32RRS1	0.1	32	21.3			1.0	2150	215	8.5	7.8
PSD104*3EK94RRS1	0.1	44	16.9			1.0	1350	135	8.5	12.2
PSD154*3EM44RRS1	0.15	44	20.4			1.0	1350	203	9	8.1
PSD224*3ED44RRS1	0.22	44	24.4			1.2	1350	297	11	5.9
PSD334*3EA64RRS1	0.33	44	29.6			1.2	1350	446	12	4.5
PSD334*3ED7GRRS1	0.33	57	24.7			1.2	880	290	12	5.4
PSD474*3EA2GRRS1	0.47	57	29.2			1.2	880	414	12	4.4
PSD684*3EW9GRRS1	0.68	57	34.9			1.2	880	598	12	3.7
PSD824*3EH3GRRS1	0.82	57	38.3			1.2	880	722	12	3.3
PSD105*3ETBGRRS1	1	57	42.2			1.2	880	880	12	2.8
PS4223*3EFH2RRS1	0.022	32		6.9	13.3	0.8	2150	47	3.5	24.0
PS4333*3EFY2RRS1	0.033	32		8.2	16.2	0.8	2150	71	4	22.7
PS4473*3EAD2RRS1	0.047	32		10.3	18.3	0.8	2150	101	5	15.5
PS4683*3EAX2RRS1	0.068	32		13.0	21.0	1.0	2150	146	6.5	11.1
PS4104*3EBW2RRS1	0.1	32		15.0	26.2	1.0	2150	215	8.5	7.8
PS4104*3EAL4RRS1	0.1	44		12.1	20.1	1.0	1350	135	8.5	12.2
PS4154*3EBN4RRS1	0.15	44		15.6	23.6	1.0	1350	203	9	8.1
PS4224*3ECB4RRS1	0.22	44		18.1	29.3	1.2	1350	297	11	5.9
PS4334*3EDD4RRS1	0.33	44		23.2	34.4	1.2	1350	446	12	4.5
PS4334*3ECCGRRS1	0.33	57		18.3	29.5	1.2	880	290	12	5.4
PS4474*3EDBGRRS1	0.47	57		22.8	34.0	1.2	880	414	12	4.4
PS4684*3EELGRRS1	0.68	57		28.4	39.6	1.2	880	598	12	3.7

規格若有任何變更將不予通知。如有產品安全或技術問題，請即與我司業務部或代理商聯繫。
Specifications are subject to change without notice. For any concern on safety or technical aspects on the product, please contact our sales offices or agents immediately.

產品編碼和電性規格 PART NUMBER AND ELECTRICAL SPECIFICATIONS

產品編碼 Part Number	容量 Cap (μ F)	尺寸 Dimension (mm)					電壓 上升 速率 du/dt (v/ μ s)	峰值 電流 I _{peak} (A)	紋波 電流 I _{rms} @25°C @10kHz (A)	等效 串聯 電阻 ESR@ 100kHz (m Ω)
		長度 L	圓 Round	橢圓 Oval		引線 直徑 d				
			直徑 D	短軸 T	長軸 H					
Un 3000VDC, Urms 750VAC, Us 5500V										
PSD223*3IJ12RRS1	0.022	32	13.1			0.8	2750	61	4	28.5
PSD333*3I572RRS1	0.033	32	15.7			1.0	2750	91	5	19.7
PSD473*3IL42RRS1	0.047	32	18.4			1.0	2750	129	6.5	13.8
PSD473*3I474RRS1	0.047	44	14.7			1.0	1600	75	6	17.8
PSD683*3I734RRS1	0.068	44	17.3			1.0	1600	109	8	12.8
PSD104*3IM74RRS1	0.1	44	20.7			1.2	1600	160	11	9.4
PSD154*3IO14RRS1	0.15	44	25.1			1.2	1600	240	12	6.8
PSD224*3IP24RRS1	0.22	44	30.2			1.2	1600	352	12	5.2
PSD224*3IO1GRRS1	0.22	57	25.1			1.2	990	218	12	5.9
PSD334*3IP5GRRS1	0.33	57	30.5			1.2	990	327	12	4.9
PSD394*3I31GRRS1	0.39	57	33.1			1.2	990	386	12	4.4
PSD474*3I63GRRS1	0.47	57	36.3			1.2	990	465	12	4.0
PSD684*3IVDGRRS1	0.68	57	43.4			1.2	990	673	12	3.5
PS4682*3IEX2RRS1	0.0068	32		5.1	9.9	0.8	2750	19	1.5	89.0
PS4103*3IFC2RRS1	0.01	32		5.9	12.3	0.8	2750	28	2	61.0
PS4153*3IFJ2RRS1	0.015	32		7.1	13.5	0.8	2750	41	3	42.5
PS4223*3IFZ2RRS1	0.022	32		8.4	16.4	0.8	2750	61	4	28.5
PS4333*3IAB2RRS1	0.033	32		11.0	19.0	1.0	2750	91	5	19.7
PS4473*3IAV2RRS1	0.047	32		13.7	21.7	1.0	2750	129	6.5	13.8
PS4473*3IAA4RRS1	0.047	44		10.0	18.0	1.0	1600	75	6	17.8
PS4683*3IAQ4RRS1	0.068	44		12.6	20.6	1.0	1600	109	8	12.8
PS4104*3IBA4RRS1	0.1	44		14.5	25.7	1.2	1600	160	11	9.4
PS4154*3ICH4RRS1	0.15	44		18.8	30.0	1.2	1600	240	12	6.8
PS4224*3IDK4RRS1	0.22	44		23.7	34.9	1.2	1600	352	12	5.2
PS4224*3ICHGRRS1	0.22	57		18.8	30.0	1.2	990	218	12	5.9
PS4334*3IDNGRRS1	0.33	57		24.1	35.3	1.2	990	327	12	4.9
PS4394*3IECGRRS1	0.39	57		26.6	37.8	1.2	990	386	12	4.4

備註： 產品編碼的第7位的“*”是代表可選容差為J= ±5%或K= ±10%。

Remark : The "*" in 7th digit is used for the capacitance tolerance, J= ±5% or K= ±10%.

規格若有任何變更將不予通知。如有產品安全或技術問題，請即與我司業務部或代理商聯繫。
Specifications are subject to change without notice. For any concern on safety or technical aspects on the product, please contact our sales offices or agents immediately.

PSC 系列 Series

IGBT 吸收電容器 IGBT Snubber

基本技術特點 GENERAL TECHNICAL CHARACTERISTICS

引用標準 Reference Standards	IEC 61071-60068
絕緣介質 Dielectric	聚丙烯薄膜 Polypropylene film
結構 Construction	乾式結構 Dry construction
封裝 Coating	UL94V-0 阻燃防火聚酯塑膠外殼, 環氧樹脂灌封 Polyester can, UL94V-0 resin end fill
引線 Leads	鍍錫銅線 2, 4, 6 腳 Tinned copper wire, 2 leads, 4 leads, 6 leads

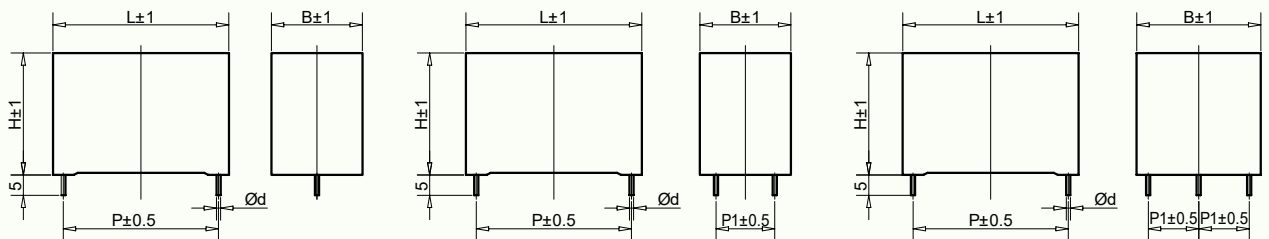


技術規格 ELECTRICAL CHARACTERISTICS

工作溫度 Operating Temperature	-40 to +85°C (外殼 case)
電容量 Capacitance	0.01 to 5.6μF
額定電壓 Rated Voltage	700 to 3000VDC
容差 Tolerance	±5% or ±10%
損耗因數 Dissipation Factor	≤6×10 ⁻⁴ 在1000±20Hz和25±5°C測定 ≤6×10 ⁻⁴ measured at 1000±20Hz and 25±5°C
預期壽命 Life Expectancy	在額定電壓和 70°C (熱點溫度) 的條件下可達100,000小時 100,000 hours at Un and 70°C (Hot-spot temperature)

測試 TEST METHODS AND PERFORMANCE

極間耐電壓 Voltage withstand between terminals	在1.5倍額定電壓Un下持續10秒 (25±5°C) 1.5Un (DC) applied for 10 sec at 25±5°C
極殼之間耐電壓 Test Voltage Terminal to Case	3kVAC/50Hz 持續60秒 3kVAC/50Hz for 60 sec
自放電時間常數 Self discharge time constant	≥30,000 秒不超過30GΩ (典型值), 電容器充電1分鐘後增加100VDC (25±5°C) ≥30,000 sec but need not exceed 30GΩ (typical value), after 1 minute of electrification at 100VDC (25±5°C)



規格若有任何變更將不予通知。如有產品安全或技術問題, 請即與我司業務部或代理商聯繫。
Specifications are subject to change without notice. For any concern on safety or technical aspects on the product, please contact our sales offices or agents immediately.

產品編碼和電性規格 PART NUMBER AND ELECTRICAL SPECIFICATIONS

產品編碼 Part Number	容量 Cap (μ F)	尺寸 Dimension (mm)						電壓 上升 速率 du/dt (V/ μ s)	峰值 電流 Ipeak (A)	紋波 電流 Irms @25°C @10kHz (A)	等效 串聯 電阻 ESR@ 100kHz (m Ω)
		長度 L	寬度 B	高度 H	極距 P	引腳 距離 P1	引線 直徑 d				
Un 700VDC, Urms 380VAC, Us 1050V											
PSC224*2SM20**SA	0.22	31.0	11	20	27.5		1.0	485	107	6.5	10.1
PSC334*2SR22**SA	0.33	31.0	13	22	27.5		1.0	485	160	8.5	7.5
PSC474*2SK2D**SA	0.47	31.0	15	24.5	27.5		1.0	485	228	9	4.6
PSC684*2SV28**SA	0.68	31.0	17	28	27.5		1.2	485	330	12	3.7
PSC684*2SV28**SA	0.68	31.0	17	28	27.5	5.1	1.2	485	330	16	3.1
PSC824*2SV28**SA	0.82	31.0	17	28	27.5	10.2	1.2	485	398	12	3.2
PSC824*2SA26**SA	0.82	42.5	15	26	37.5		1.2	325	267	12	3.4
PSC105*2SB31**SA	1	31.0	22	31	27.5		1.2	485	485	12	3.2
PSC105*2SB31**SA	1	31.0	22	31	27.5	10.2	1.2	485	485	19	2.6
PSC105*2SB28**SA	1	42.5	17	28	37.5		1.2	325	325	12	3.3
PSC155*2SC30**SA	1.5	42.5	22	30	37.5		1.2	325	488	12	3.2
PSC155*2SC30**SA	1.5	42.5	22	30	37.5	10.2	1.2	325	488	19	3.4
PSC205*2SE37**SA	2	42.5	28	37	37.5		1.2	325	650	12	3.0
PSC205*2SE37**SA	2	42.5	28	37	37.5	10.2	1.2	325	650	22	2.9
PSC225*2SE37**SA	2.2	42.5	28	37	37.5		1.2	325	715	12	2.8
PSC225*2SE37**SA	2.2	42.5	28	37	37.5	20.3	1.2	325	715	22	2.5
PSC305*2SF45**SA	3	42.5	30	45	37.5		1.2	325	975	12	2.6
PSC305*2SF45**SA	3	42.5	30	45	37.5	20.3	1.2	325	975	22	2.4
PSC305*2SF45**SA	3	42.5	30	45	37.5	10.2	1.2	325	975	27	2.2
PSC335*2SF45**SA	3.3	42.5	30	45	37.5		1.2	325	1073	12	2.5
PSC335*2SF45**SA	3.3	42.5	30	45	37.5	20.3	1.2	325	1073	22	2.4
PSC335*2SF45**SA	3.3	42.5	30	45	37.5	10.2	1.2	325	1073	27	2.1
PSC405*2SH45**SA	4	42.5	33	45	37.5		1.2	325	1300	13	2.1
PSC405*2SH45**SA	4	42.5	33	45	37.5	20.3	1.2	325	1300	23	2.0
PSC405*2SH45**SA	4	42.5	33	45	37.5	10.2	1.2	325	1300	28	1.9
PSC405*2SS45**SA	4	57.5	30	45	52.5		1.2	200	800	12	3.0
PSC405*2SS45**SA	4	57.5	30	45	52.5	20.3	1.2	200	800	22	2.4
PSC405*2SS45**SA	4	57.5	30	45	52.5	10.2	1.2	200	800	27	2.4
PSC475*2SS45**SA	4.7	57.5	30	45	52.5		1.2	200	940	12	3.0
PSC475*2SS45**SA	4.7	57.5	30	45	52.5	20.3	1.2	200	940	22	2.8
PSC475*2SS45**SA	4.7	57.5	30	45	52.5	10.2	1.2	200	940	31	2.6
PSC505*2SS45**SA	5	57.5	30	45	52.5		1.2	200	1000	12	2.9
PSC505*2SS45**SA	5	57.5	30	45	52.5	20.3	1.2	200	1000	22	2.7
PSC505*2SS45**SA	5	57.5	30	45	52.5	10.2	1.2	200	1000	31	2.6
PSC565*2ST50**SA	5.6	57.5	35	50	52.5		1.2	200	1120	12	2.7
PSC565*2ST50**SA	5.6	57.5	35	50	52.5	20.3	1.2	200	1120	22	2.5
PSC565*2ST50**SA	5.6	57.5	35	50	52.5	10.2	1.2	200	1120	31	2.4

規格若有任何變更將不予通知。如有產品安全或技術問題，請即與我司業務部或代理商聯繫。
Specifications are subject to change without notice. For any concern on safety or technical aspects on the product, please contact our sales offices or agents immediately.

產品編碼和電性規格 PART NUMBER AND ELECTRICAL SPECIFICATIONS

產品編碼 Part Number	容量 Cap (μ F)	尺寸 Dimension (mm)						電壓 上升 速率 du/dt (v/ μ s)	峰值 電流 I _{peak} (A)	紋波 電流 I _{rms} @25°C @10kHz (A)	等效 串聯 電阻 ESR@ 100kHz (m Ω)
		長度 L	寬度 B	高度 H	極距 P	引腳 距離 P1	引線 直徑 d				
Un 850VDC, Urms 450VAC, Us 1275V											
PSC683*2R617**SA	0.068	26.5	8.5	17	22.5		0.8	850	58	3.5	13.9
PSC104*2R11H**SA	0.1	26.5	10	18.5	22.5		0.8	850	85	4.5	10.4
PSC154*2RN20**SA	0.15	26.5	11	20	22.5		0.8	850	128	6.5	7.5
PSC154*2RM20**SA	0.15	31.0	11	20	27.5		0.8	700	105	6.5	8.6
PSC224*2RR22**SA	0.22	31.0	13	22	27.5		1.0	700	154	8	6.4
PSC334*2RK2D**SA	0.33	31.0	15	24.5	27.5		1.0	700	231	9	4.8
PSC474*2RL33**SA	0.47	31.0	18	33	27.5		1.2	700	329	12	3.9
PSC474*2RL33**SA	0.47	31.0	18	33	27.5	10.2	1.2	700	329	16	3.3
PSC564*2RL33**SA	0.56	31.0	18	33	27.5		1.2	700	392	18	3.1
PSC564*2RL33**SA	0.56	31.0	18	33	27.5	10.2	1.2	700	392	12	3.7
PSC564*2RA26**SA	0.56	42.5	15	26	37.5		1.2	400	224	12	3.8
PSC684*2RB31**SA	0.68	31.0	22	31	27.5		1.2	700	476	12	3.3
PSC684*2RB31**SA	0.68	31.0	22	31	27.5	10.2	1.2	700	476	19	2.8
PSC684*2RB28**SA	0.68	42.5	17	28	37.5		1.2	400	272	12	3.6
PSC105*2RC30**SA	1	42.5	22	30	37.5		1.2	400	400	12	3.3
PSC105*2RC30**SA	1	42.5	22	30	37.5	10.2	1.2	400	400	21	2.7
PSC155*2RE37**SA	1.5	42.5	28	37	37.5		1.2	400	600	12	2.8
PSC155*2RE37**SA	1.5	42.5	28	37	37.5	20.3	1.2	400	600	22	2.2
PSC205*2RF45**SA	2	42.5	30	45	37.5		1.2	400	800	12	2.5
PSC205*2RF45**SA	2	42.5	30	45	37.5	20.3	1.2	400	800	22	1.9
PSC205*2RF45**SA	2	42.5	30	45	37.5	10.2	1.2	400	800	26	1.9
PSC225*2RF45**SA	2.2	42.5	30	45	37.5		1.2	400	880	12	2.5
PSC225*2RF45**SA	2.2	42.5	30	45	37.5	20.3	1.2	400	880	22	1.9
PSC225*2RF45**SA	2.2	42.5	30	45	37.5	10.2	1.2	400	880	27	1.9
PSC255*2RS45**SA	2.5	57.5	30	45	52.5		1.2	275	688	12	2.9
PSC255*2RS45**SA	2.5	57.5	30	45	52.5	20.3	1.2	275	688	22	2.3
PSC255*2RS45**SA	2.5	57.5	30	45	52.5	10.2	1.2	275	688	27	2.3
PSC305*2RS45**SA	3	57.5	30	45	52.5		1.2	275	825	12	2.7
PSC305*2RS45**SA	3	57.5	30	45	52.5	20.3	1.2	275	825	22	2.1
PSC305*2RS45**SA	3	57.5	30	45	52.5	10.2	1.2	275	825	27	2.1
PSC335*2RS45**SA	3.3	57.5	30	45	52.5		1.2	275	908	12	2.7
PSC335*2RS45**SA	3.3	57.5	30	45	52.5	20.3	1.2	275	908	22	2.1
PSC335*2RS45**SA	3.3	57.5	30	45	52.5	10.2	1.2	275	908	29	2.1
PSC405*2RT50**SA	4	57.5	35	50	52.5		1.2	275	1100	12	2.5
PSC405*2RT50**SA	4	57.5	35	50	52.5	20.3	1.2	275	1100	22	1.9
PSC405*2RT50**SA	4	57.5	35	50	52.5	10.2	1.2	275	1100	28	1.8
PSC475*2RT50**SA	4.7	57.5	35	50	52.5		1.2	275	1293	12	2.3
PSC475*2RT50**SA	4.7	57.5	35	50	52.5	20.3	1.2	275	1293	22	1.8
PSC475*2RT50**SA	4.7	57.5	35	50	52.5	10.2	1.2	275	1293	30	1.5

規格若有任何變更將不予通知。如有產品安全或技術問題，請即與我司業務部或代理商聯繫。
Specifications are subject to change without notice. For any concern on safety or technical aspects on the product, please contact our sales offices or agents immediately.

產品編碼和電性規格 PART NUMBER AND ELECTRICAL SPECIFICATIONS

產品編碼 Part Number	容量 Cap (μ F)	尺寸 Dimension (mm)						電壓 上升 速率 du/dt (v/ μ s)	峰值 電流 Ipeak (A)	紋波 電流 Irms @25°C @10kHz (A)	等效 串聯 電阻 ESR@ 100kHz (m Ω)
		長度 L	寬度 B	高度 H	極距 P	引腳 距離 P1	引線 直徑 d				
Un 1000VDC, Urms 480VAC, Us 1500V											
PSC473*3AJ16**SA	0.047	26.5	7	16	22.5		0.8	1000	47	3	18.0
PSC683*3A617**SA	0.068	26.5	8.5	17	22.5		0.8	1000	68	2.3	13.5
PSC104*3AN20**SA	0.1	26.5	11	20	22.5		0.8	1000	100	5	9.9
PSC104*3AQ18**SA	0.1	31.0	9	18	27.5		0.8	850	85	5	11.0
PSC154*3AW22**SA	0.15	26.5	12	22	22.5		0.8	1000	150	6.5	7.3
PSC154*3AM20**SA	0.15	31.0	11	20	27.5		0.8	850	128	6.5	8.2
PSC224*3AK2D**SA	0.22	31.0	15	24.5	27.5		1.0	850	187	9	6.5
PSC334*3AV28**SA	0.33	31.0	17	28	27.5		1.0	850	281	9	5.5
PSC474*3AL33**SA	0.47	31.0	18	33	27.5		1.2	850	400	12	3.7
PSC474*3AL33**SA	0.47	31.0	18	33	27.5	10.2	1.2	850	400	16	3.1
PSC474*3AB28**SA	0.47	42.5	17	28	37.5		1.2	570	268	12	4.6
PSC564*3AB28**SA	0.56	42.5	17	28	37.5		1.2	570	319	12	4.2
PSC684*3AC30**SA	0.68	42.5	22	30	37.5		1.2	570	388	12	3.9
PSC684*3AC30**SA	0.68	42.5	22	30	37.5	10.2	1.2	570	388	19	3.3
PSC824*3AC30**SA	0.82	42.5	22	30	37.5		1.2	570	467	12	3.6
PSC824*3AC30**SA	0.82	42.5	22	30	37.5	10.2	1.2	570	467	22	3.2
PSC105*3AE37**SA	1	42.5	28	37	37.5		1.2	570	570	12	3.4
PSC105*3AE37**SA	1	42.5	28	37	37.5	10.2	1.2	570	570	22	2.7
PSC125*3AE37**SA	1.2	42.5	28	37	37.5		1.2	570	684	12	3.3
PSC125*3AE37**SA	1.2	42.5	28	37	37.5	10.2	1.2	570	684	22	2.9
PSC155*3AF45**SA	1.5	42.5	30	45	37.5		1.2	570	855	12	2.9
PSC155*3AF45**SA	1.5	42.5	30	45	37.5	20.3	1.2	570	855	22	2.2
PSC155*3AF45**SA	1.5	42.5	30	45	37.5	10.2	1.2	570	855	22.5	2.2
PSC205*3AH45**SA	2	42.5	33	45	37.5		1.2	570	1140	11	3.1
PSC205*3AH45**SA	2	42.5	33	45	37.5	20.3	1.2	570	1140	21	2.7
PSC205*3AH45**SA	2	42.5	33	45	37.5	10.2	1.2	570	1140	26	2.5
PSC205*3AS45**SA	2	57.5	30	45	52.5		1.2	320	640	12	3.0
PSC205*3AS45**SA	2	57.5	30	45	52.5	20.3	1.2	320	640	22	2.6
PSC205*3AS45**SA	2	57.5	30	45	52.5	10.2	1.2	320	640	27	2.6
PSC225*3AS45**SA	2.2	57.5	30	45	52.5		1.2	320	704	12	2.6
PSC225*3AS45**SA	2.2	57.5	30	45	52.5	20.3	1.2	320	704	22	3.1
PSC225*3AS45**SA	2.2	57.5	30	45	52.5	10.2	1.2	320	704	26	2.5
PSC305*3AT50**SA	3	57.5	35	50	52.5		1.2	320	960	12	2.7
PSC305*3AT50**SA	3	57.5	35	50	52.5	20.3	1.2	320	960	22	2.2
PSC305*3AT50**SA	3	57.5	35	50	52.5	10.2	1.2	320	960	29	2.2
PSC335*3AT50**SA	3.3	57.5	35	50	52.5		1.2	320	1056	12	2.6
PSC335*3AT50**SA	3.3	57.5	35	50	52.5	20.3	1.2	320	1056	22	2.0
PSC335*3AT50**SA	3.3	57.5	35	50	52.5	10.2	1.2	320	1056	30	2.0

規格若有任何變更將不予通知。如有產品安全或技術問題，請即與我司業務部或代理商聯繫。
Specifications are subject to change without notice. For any concern on safety or technical aspects on the product, please contact our sales offices or agents immediately.

產品編碼和電性規格 PART NUMBER AND ELECTRICAL SPECIFICATIONS

產品編碼 Part Number	容量 Cap (μ F)	尺寸 Dimension (mm)						電壓 上升 速率 du/dt (v/ μ s)	峰值 電流 I _{peak} (A)	紋波 電流 I _{rms} @25°C @10kHz (A)	等效 串聯 電阻 ESR@ 100kHz (m Ω)
		長度 L	寬度 B	高度 H	極距 P	引腳 距離 P1	引線 直徑 d				
Un 1200VDC, Urms 500VAC, Us 1800V											
PSC333*3OJ16**SA	0.033	26.5	7	16	22.5		0.8	1300	43	3	22.0
PSC473*3O617**SA	0.047	26.5	8.5	17	22.5		0.8	1300	61	3.5	16.0
PSC683*3OI1H**SA	0.068	26.5	10	18.5	22.5		0.8	1300	88	4	13.0
PSC683*3OQ18**SA	0.068	31.0	9	18	27.5		0.8	1100	75	4	14.0
PSC104*3OW22**SA	0.1	26.5	12	22	22.5		0.8	1300	130	5.5	9.7
PSC104*3OM20**SA	0.1	31.0	11	20	27.5		0.8	1100	110	5.5	10.5
PSC154*3OR22**SA	0.15	31.0	13	22	27.5		1.0	1100	165	7	7.6
PSC224*3OK2D**SA	0.22	31.0	15	24.5	27.5		1.0	1100	242	9	5.5
PSC334*3OL33**SA	0.33	31.0	18	33	27.5		1.2	1100	363	12	4.3
PSC334*3OL33**SA	0.33	31.0	18	33	27.5	10.2	1.2	1100	363	15.5	3.7
PSC334*3OA26**SA	0.33	42.5	15	26	37.5		1.2	650	215	12	5.5
PSC474*3OB31**SA	0.47	31.0	22	31	27.5		1.2	1100	517	12	3.4
PSC474*3OB31**SA	0.47	31.0	22	31	27.5	10.2	1.2	1100	517	19	2.8
PSC474*3OB28**SA	0.47	42.5	17	28	37.5		1.2	650	306	12	4.8
PSC684*3OC30**SA	0.68	42.5	22	30	37.5		1.2	650	442	12	3.9
PSC684*3OC30**SA	0.68	42.5	22	30	37.5	10.2	1.2	650	442	20	3.4
PSC105*3OE37**SA	1	42.5	28	37	37.5		1.2	650	650	12	3.4
PSC105*3OE37**SA	1	42.5	28	37	37.5	20.3	1.2	650	650	21	2.8
PSC125*3OE37**SA	1.2	42.5	28	37	37.5		1.2	650	780	12	3.4
PSC125*3OE37**SA	1.2	42.5	28	37	37.5	20.3	1.2	650	780	22	2.5
PSC155*3OF45**SA	1.5	42.5	30	45	37.5		1.2	650	975	12	2.8
PSC155*3OF45**SA	1.5	42.5	30	45	37.5	20.3	1.2	650	975	22	2.1
PSC155*3OF45**SA	1.5	42.5	30	45	37.5	10.2	1.2	650	975	27	2.1
PSC205*3OS45**SA	2	57.5	30	45	52.5		1.2	350	700	12	3.0
PSC205*3OS45**SA	2	57.5	30	45	52.5	20.3	1.2	350	700	22	2.4
PSC205*3OS45**SA	2	57.5	30	45	52.5	10.2	1.2	350	700	27	2.4
PSC225*3OS50**SA	2.2	57.5	30	50	52.5		1.2	350	770	12	2.9
PSC225*3OS50**SA	2.2	57.5	30	50	52.5	20.3	1.2	350	770	22	2.3
PSC225*3OS50**SA	2.2	57.5	30	50	52.5	10.2	1.2	350	770	30	2.3
PSC255*3OT50**SA	2.5	57.5	35	50	52.5		1.2	350	875	12	2.7
PSC255*3OT50**SA	2.5	57.5	35	50	52.5	20.3	1.2	350	875	22	2.1
PSC255*3OT50**SA	2.5	57.5	35	50	52.5	10.2	1.2	350	875	30	2.1
PSC305*3OT50**SA	3	57.5	35	50	52.5		1.2	350	1050	12	2.3
PSC305*3OT50**SA	3	57.5	35	50	52.5	20.3	1.2	350	1050	22	2.0
PSC305*3OT50**SA	3	57.5	35	50	52.5	10.2	1.2	350	1050	29	2.0

規格若有任何變更將不予通知。如有產品安全或技術問題，請即與我司業務部或代理商聯繫。
Specifications are subject to change without notice. For any concern on safety or technical aspects on the product, please contact our sales offices or agents immediately.

產品編碼和電性規格 PART NUMBER AND ELECTRICAL SPECIFICATIONS

產品編碼 Part Number	容量 Cap (μ F)	尺寸 Dimension (mm)						電壓 上升 速率 du/dt (v/ μ s)	峰值 電流 Ipeak (A)	紋波 電流 Irms @25°C @10kHz (A)	等效 串聯 電阻 ESR@ 100kHz (m Ω)
		長度 L	寬度 B	高度 H	極距 P	引腳 距離 P1	引線 直徑 d				
Un 1500VDC, Urms 570VAC, Us 2250V											
PSC223*3ZJ16**SA	0.022	26.5	7	16	22.5		0.8	1500	33	2.5	29.5
PSC333*3Z617**SA	0.033	26.5	8.5	17	22.5		0.8	1500	50	3	22.0
PSC473*3ZI1H**SA	0.047	26.5	10	18.5	22.5		0.8	1500	71	3.5	16.5
PSC473*3ZQ18**SA	0.047	31.0	9	18	27.5		0.8	1225	58	3.5	18.2
PSC683*3ZW22**SA	0.068	26.5	12	22	22.5		0.8	1500	102	5	12.3
PSC683*3ZM20**SA	0.068	31.0	11	20	27.5		0.8	1225	83	5	13.8
PSC104*3ZR22**SA	0.1	31.0	13	22	27.5		0.8	1225	123	6.5	9.5
PSC154*3ZV28**SA	0.15	31.0	17	28	27.5		1.0	1225	184	8	7.1
PSC224*3ZL33**SA	0.22	31.0	18	33	27.5		1.2	1225	270	12	5.1
PSC224*3ZB28**SA	0.22	42.5	17	28	37.5		1.2	800	176	12	6.8
PSC334*3ZC30**SA	0.33	42.5	22	30	37.5		1.2	800	264	12	4.1
PSC334*3ZC30**SA	0.33	42.5	22	30	37.5	10.2	1.2	800	264	18	3.3
PSC394*3ZC30**SA	0.39	42.5	22	30	37.5		1.2	800	312	12	4.0
PSC394*3ZC30**SA	0.39	42.5	22	30	37.5	10.2	1.2	800	312	18	3.1
PSC474*3ZE37**SA	0.47	42.5	28	37	37.5		1.2	800	376	12	4.4
PSC474*3ZE37**SA	0.47	42.5	28	37	37.5	10.2	1.2	800	376	22	3.8
PSC684*3ZE37**SA	0.68	42.5	28	37	37.5		1.2	800	544	12	3.8
PSC684*3ZE37**SA	0.68	42.5	28	37	37.5	10.2	1.2	800	544	22	3.2
PSC105*3ZF45**SA	1	42.5	30	45	37.5		1.2	800	800	12	3.2
PSC105*3ZF45**SA	1	42.5	30	45	37.5	20.3	1.2	800	800	22	2.6
PSC125*3ZS45**SA	1.2	57.5	30	45	52.5		1.2	500	600	12	3.5
PSC125*3ZS45**SA	1.2	57.5	30	45	52.5	20.3	1.2	500	600	22	2.9
PSC125*3ZS45**SA	1.2	57.5	30	45	52.5	10.2	1.2	500	600	27	2.9
PSC155*3ZT50**SA	1.5	57.5	35	50	52.5		1.2	500	750	12	3.2
PSC155*3ZT50**SA	1.5	57.5	35	50	52.5	20.3	1.2	500	750	22	2.6
PSC155*3ZT50**SA	1.5	57.5	35	50	52.5	10.2	1.2	500	750	27	2.6
PSC185*3ZT50**SA	1.8	57.5	35	50	52.5		1.2	500	900	12	3.0
PSC185*3ZT50**SA	1.8	57.5	35	50	52.5	20.3	1.2	500	900	22	2.4
PSC185*3ZT50**SA	1.8	57.5	35	50	52.5	10.2	1.2	500	900	30	2.4

規格若有任何變更將不予通知。如有產品安全或技術問題，請即與我司業務部或代理商聯繫。
Specifications are subject to change without notice. For any concern on safety or technical aspects on the product, please contact our sales offices or agents immediately.

產品編碼和電性規格 PART NUMBER AND ELECTRICAL SPECIFICATIONS

產品編碼 Part Number	容量 Cap (μ F)	尺寸 Dimension (mm)						電壓 上升 速率 du/dt (v/ μ s)	峰值 電流 I _{peak} (A)	紋波 電流 I _{rms} @25°C @10kHz (A)	等效 串聯 電阻 ESR@ 100kHz (m Ω)
		長度 L	寬度 B	高度 H	極距 P	引腳 距離 P1	引線 直徑 d				
Un 2000VDC, Urms 630VAC, Us 3000V											
PSC153*3DJ16**SA	0.015	26.5	7	16	22.5		0.8	2150	32	2	37.5
PSC223*3D617**SA	0.022	26.5	8.5	17	22.5		0.8	2150	47	2.5	27.0
PSC333*3DN20**SA	0.033	26.5	11	20	22.5		0.8	2150	71	3.5	21.0
PSC333*3DM20**SA	0.033	31.0	11	20	27.5		0.8	1750	58	4	23.7
PSC473*3DW22**SA	0.047	26.5	12	22	22.5		0.8	2150	101	4.5	14.8
PSC473*3DM20**SA	0.047	31.0	11	20	27.5		0.8	1750	82	4.5	16.8
PSC683*3DR22**SA	0.068	31.0	13	22	27.5		0.8	1750	119	5.5	12.1
PSC104*3DV28**SA	0.1	31.0	17	28	27.5		1.0	1750	175	8	8.4
PSC154*3DL33**SA	0.15	31.0	18	33	27.5		1.2	1750	263	11	6.5
PSC154*3DL33**SA	0.15	31.0	18	33	27.5	10.2	1.2	1750	263	12	5.9
PSC154*3DA26**SA	0.15	42.5	15	26	37.5		1.2	1000	150	9	8.0
PSC224*3DC30**SA	0.22	42.5	22	30	37.5		1.2	1000	220	12	5.2
PSC334*3DE37**SA	0.33	42.5	28	37	37.5		1.2	1000	330	12	4.7
PSC334*3DE37**SA	0.33	42.5	28	37	37.5	10.2	1.2	1000	330	18	3.1
PSC394*3DE37**SA	0.39	42.5	28	37	37.5		1.2	1000	390	12	4.7
PSC394*3DE37**SA	0.39	42.5	28	37	37.5	20.3	1.2	1000	390	19	3.0
PSC474*3DE37**SA	0.47	42.5	28	37	37.5		1.2	1000	470	12	4.0
PSC474*3DE37**SA	0.47	42.5	28	37	37.5	20.3	1.2	1000	470	22	3.4
PSC564*3DF45**SA	0.56	42.5	30	45	37.5		1.2	1000	560	12	3.7
PSC564*3DF45**SA	0.56	42.5	30	45	37.5	20.3	1.2	1000	560	22	3.1
PSC564*3DH45**SA	0.56	42.5	33	45	37.5	10.2	1.2	1000	560	27	3.1
PSC684*3DH45**SA	0.68	42.5	33	45	37.5		1.2	1000	680	12	3.7
PSC684*3DH45**SA	0.68	42.5	33	45	37.5	20.3	1.2	1000	680	22	3.1
PSC684*3DH45**SA	0.68	42.5	33	45	37.5	10.2	1.2	1000	680	28	3.0
PSC684*3DS45**SA	0.68	57.5	30	45	52.5		1.2	580	394	12	4.3
PSC684*3DS45**SA	0.68	57.5	30	45	52.5	20.3	1.2	580	394	22	3.6
PSC684*3DS45**SA	0.68	57.5	30	45	52.5	10.2	1.2	580	394	27	3.6
PSC824*3DS45**SA	0.82	57.5	30	45	52.5		1.2	580	476	12	3.9
PSC824*3DS45**SA	0.82	57.5	30	45	52.5	20.3	1.2	580	476	22	3.2
PSC824*3DS45**SA	0.82	57.5	30	45	52.5	10.2	1.2	580	476	24	3.1
PSC105*3DT50**SA	1	57.5	35	50	52.5		1.2	580	580	12	3.6
PSC105*3DT50**SA	1	57.5	35	50	52.5	20.3	1.2	580	580	22	2.9
PSC105*3DT50**SA	1	57.5	35	50	52.5	10.2	1.2	580	580	29	2.9
PSC125*3DT50**SA	1.2	57.5	35	50	52.5		1.2	580	696	12	3.2
PSC125*3DT50**SA	1.2	57.5	35	50	52.5	20.3	1.2	580	696	22	2.5
PSC125*3DT50**SA	1.2	57.5	35	50	52.5	10.2	1.2	580	696	29	2.5

規格若有任何變更將不予通知。如有產品安全或技術問題，請即與我司業務部或代理商聯繫。
Specifications are subject to change without notice. For any concern on safety or technical aspects on the product, please contact our sales offices or agents immediately.

產品編碼和電性規格 PART NUMBER AND ELECTRICAL SPECIFICATIONS

產品編碼 Part Number	容量 Cap (μ F)	尺寸 Dimension (mm)						電壓 上升 速率 du/dt (v/ μ s)	峰值 電流 Ipeak (A)	紋波 電流 Irms @25°C @10kHz (A)	等效 串聯 電阻 ESR@ 100kHz (m Ω)
		長度 L	寬度 B	高度 H	極距 P	引腳 距離 P1	引線 直徑 d				
Un 2500VDC, Urms 700VAC, Us 3750V											
PSC103*3E617**SA	0.01	26.5	8.5	17	22.5		0.8	2650	27	2	51.0
PSC153*3E11H**SA	0.015	26.5	10	18.5	22.5		0.8	2650	40	2.5	36.0
PSC223*3EW22**SA	0.022	26.5	12	22	22.5		0.8	2650	58	3	26.5
PSC223*3EM20**SA	0.022	31.0	11	20	27.5		0.8	2150	47	3	30.5
PSC333*3EM20**SA	0.033	31.0	11	20	27.5		0.8	2150	71	4	22.5
PSC473*3ER22**SA	0.047	31.0	13	22	27.5		0.8	2150	101	5.5	16.0
PSC683*3EV28**SA	0.068	31.0	17	28	27.5		1.0	2150	146	8	11.3
PSC104*3EL33**SA	0.1	31.0	18	33	27.5		1.2	2150	215	10	7.6
PSC104*3EL33**SA	0.1	31.0	18	33	27.5	10.2	1.2	2150	215	11.5	7.0
PSC104*3EA26**SA	0.1	42.5	15	26	37.5		1.2	1350	135	8.5	11.8
PSC154*3EC30**SA	0.15	42.5	22	30	37.5		1.2	1350	203	11	7.7
PSC154*3EC30**SA	0.15	42.5	22	30	37.5	10.2	1.2	1350	203	15	6.5
PSC224*3EE37**SA	0.22	42.5	28	37	37.5		1.2	1350	297	12	5.8
PSC224*3EE37**SA	0.22	42.5	28	37	37.5	10.2	1.2	1350	297	22	5.2
PSC334*3EE37**SA	0.33	42.5	28	37	37.5		1.2	1350	446	12	4.3
PSC334*3EE37**SA	0.33	42.5	28	37	37.5	20.3	1.2	1350	446	20	3.9
PSC394*3EF45**SA	0.39	42.5	30	45	37.5		1.2	1350	527	12	4.3
PSC394*3EF45**SA	0.39	42.5	30	45	37.5	20.3	1.2	1350	527	20	3.6
PSC394*3EH45**SA	0.39	42.5	33	45	37.5	10.2	1.2	1350	527	25	3.6
PSC474*3EH45**SA	0.47	42.5	33	45	37.5	10.2	1.2	1350	635	25	3.5
PSC474*3ES45**SA	0.47	57.5	30	45	52.5		1.2	750	353	12	4.6
PSC474*3ES45**SA	0.47	57.5	30	45	52.5	20.3	1.2	750	353	22	3.9
PSC564*3ES45**SA	0.56	57.5	30	45	52.5		1.2	750	420	12	4.3
PSC564*3ES45**SA	0.56	57.5	30	45	52.5	20.3	1.2	750	420	22	3.6
PSC564*3ES45**SA	0.56	57.5	30	45	52.5	10.2	1.2	750	420	25	3.6
PSC684*3ET50**SA	0.68	57.5	35	50	52.5		1.2	750	510	12	4.0
PSC684*3ET50**SA	0.68	57.5	35	50	52.5	20.3	1.2	750	510	22	3.3
PSC684*3ET50**SA	0.68	57.5	35	50	52.5	10.2	1.2	750	510	25	3.3
PSC824*3ET50**SA	0.82	57.5	35	50	52.5		1.2	750	615	12	3.7
PSC824*3ET50**SA	0.82	57.5	35	50	52.5	20.3	1.2	750	615	22	2.9
PSC824*3ET50**SA	0.82	57.5	35	50	52.5	10.2	1.2	750	615	26	2.6

規格若有任何變更將不予通知。如有產品安全或技術問題，請即與我司業務部或代理商聯繫。
Specifications are subject to change without notice. For any concern on safety or technical aspects on the product, please contact our sales offices or agents immediately.

產品編碼和電性規格 PART NUMBER AND ELECTRICAL SPECIFICATIONS

產品編碼 Part Number	容量 Cap (μF)	尺寸 Dimension (mm)						電壓 上升 速率 du/dt (v/ μs)	峰值 電流 I _{peak} (A)	紋波 電流 I _{rms} @25°C @10kHz (A)	等效 串聯 電阻 ESR@ 100kHz (m Ω)
		長度 L	寬度 B	高度 H	極距 P	引腳 距離 P1	引線 直徑 d				
Un 3000VDC, Urms 750VAC, Us 4500V											
PSC103*3I617**SA	0.01	26.5	8.5	17	22.5		0.8	3400	23	2	64.0
PSC103*3IN20**SA	0.01	26.5	11	20	22.5		0.8	3400	34	2.5	45.6
PSC103*3IQ18**SA	0.01	31.0	9	18	27.5		0.8	2750	28	2.5	54.0
PSC223*3IW22**SA	0.022	26.5	12	22	22.5		0.8	3400	51	3	33.0
PSC223*3IM20**SA	0.022	31.0	11	20	27.5		0.8	2750	41	3	38.0
PSC223*3IR22**SA	0.022	31.0	13	22	27.5		0.8	2750	61	4	26.5
PSC333*3IK2D**SA	0.033	31.0	15	24.5	27.5		0.8	2750	91	5	19.0
PSC473*3IL33**SA	0.047	31.0	18	33	27.5		1.0	2750	129	7.5	13.8
PSC104*3IC30**SA	0.1	42.5	22	30	37.5		1.2	1600	160	10	9.4
PSC104*3IC30**SA	0.1	42.5	22	30	37.5	10.2	1.2	1600	160	12.5	8.7
PSC154*3IE37**SA	0.15	42.5	28	37	37.5		1.2	1600	240	12	6.8
PSC154*3IE37**SA	0.15	42.5	28	37	37.5	10.2	1.2	1600	240	14.5	6.1
PSC184*3IE37**SA	0.18	42.5	28	37	37.5	10.2	1.2	1600	288	16	5.8
PSC224*3IF45**SA	0.22	42.5	30	45	37.5		1.2	1600	352	12	5.8
PSC224*3IF45**SA	0.22	42.5	30	45	37.5	20.3	1.2	1600	352	18	4.6
PSC224*3IH45**SA	0.22	42.5	33	45	37.5	10.2	1.2	1600	352	25	6.1
PSC244*3IH45**SA	0.24	42.5	33	45	37.5	10.2	1.2	1600	384	24	5.8
PSC274*3IH45**SA	0.27	42.5	33	45	37.5	10.2	1.2	1600	432	26	5.7
PSC334*3IH45**SA	0.33	42.5	33	45	37.5	10.2	1.2	1600	528	24	5.3
PSC334*3IS45**SA	0.33	57.5	30	45	52.5		1.2	875	289	12	5.7
PSC334*3IS45**SA	0.33	57.5	30	45	52.5	20.3	1.2	875	289	20	6.0
PSC354*3IH45**SA	0.35	42.5	33	45	37.5	10.2	1.2	1600	560	28	3.4
PSC474*3IP50**SA	0.47	57.5	33	50	52.5		1.2	875	411	12	4.8
PSC474*3IP50**SA	0.47	57.5	33	50	52.5	20.3	1.2	875	411	22	3.8

- 備註: 產品編碼的第7位的“*”是代表可選容差為J= $\pm 5\%$ 或K= $\pm 10\%$ 。
 產品編碼的第13位的“*”是代表可選接腳線數目為2條, 4條或6條。
 產品編碼的第14位的“*”是代表可選接腳線長度, E即是5mm, 3即是30mm。
- Remark : The “*” in 7th digit is used for the capacitance tolerance, J= $\pm 5\%$ or K= $\pm 10\%$.
 The “*” in 13th digit is used for the leads style, for 2 leads, 4 leads or 6 leads.
 The “*” in 14th digit is used for the lead length, E for 5mm, 3 for 30mm.

規格若有任何變更將不予通知。如有產品安全或技術問題, 請即與我司業務部或代理商聯繫。
 Specifications are subject to change without notice. For any concern on safety or technical aspects on the product,
 please contact our sales offices or agents immediately.